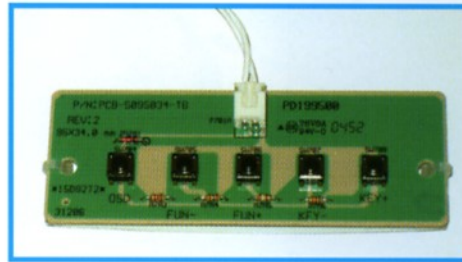




Digital Monitor



Push Button
Control Board

Power Input

- Input voltage: 90-265 VAC, 47-63Hz;
- Maximum power: 80 watts typical
95 watts Max

Resolution

16 factory preset formats

- Graphics modes:
CGA: 640 X 240
EGA: 773 X 381
VGA: 640 X 200, 640 X 350,
640 X 480
SVGA: 800 X 600, 1024 X 768
(Optional) or custom customer modes.
- Video bandwidth: 70 MHz typical.

Miscellaneous

- 105 Degree C. Capacitors for long life and reliability.
- Operating temperature: 0 to 55 degree C.
- Agency compliance: UL, CSA, DHHS, TUV, CE.

Specification

- CRT size (diagonal measure): 19" Standard Curved
- Phosphor type: P22
- Color Temperature: 9300°K /6500K +/- 300°K/User Adjustable
- Dot trio spacing: 0.81 mm

Input Signals

- Video Input connector 1: 15 pin D-sub high density male;
- VGA compatible Analog .7 to 1volt level with 75 Ohm input
- Video Input connector 2: Analog 2.2 to 4 volt level at 250/350 Ohm
- Sync type: Standard CGA/EGA/VGA/XGA sync (positive or negative)
- Sync input: Separate or composite sync from 1 volt to 5 volt input.
- Horizontal sync frequency: 15.75 to 48 KHz
- Vertical sync frequency: 40 to 160 Hz

Light Output

- 70 Ft-L min. (center block)

Geometry

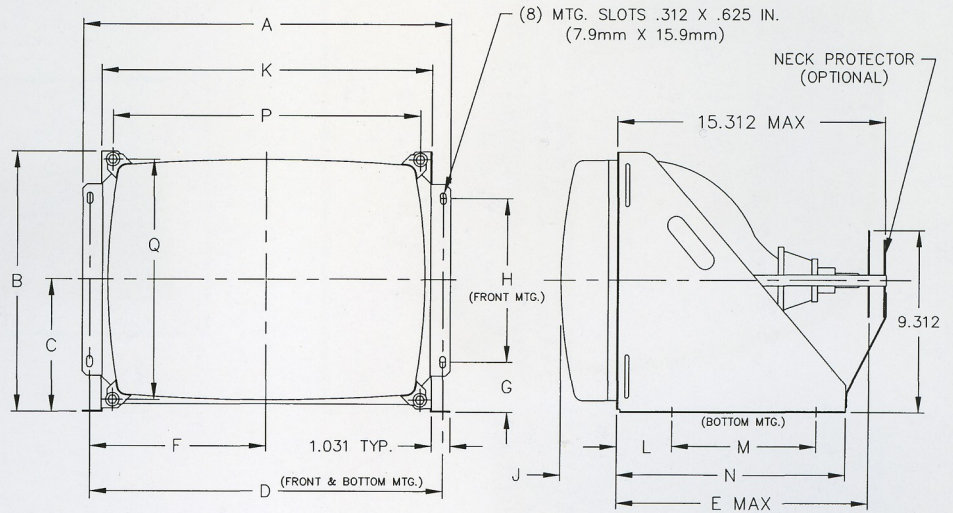
- Horizontal linearity: Less than 5%
- Vertical linearity: Less Than 5%
- Picture size regulation: 2%
- Geometric distortion: +/- 2% max.

User Controls

- Brightness, contrast, horizontal size, horizontal position vertical size, vertical position, pin cushion, trapezoid, parallelogram, pin balance, color temperature, recall (factory reset), language menu.
- Tilt, OSD menu
- Automatic Degauss: Manual Degauss, OSD menu

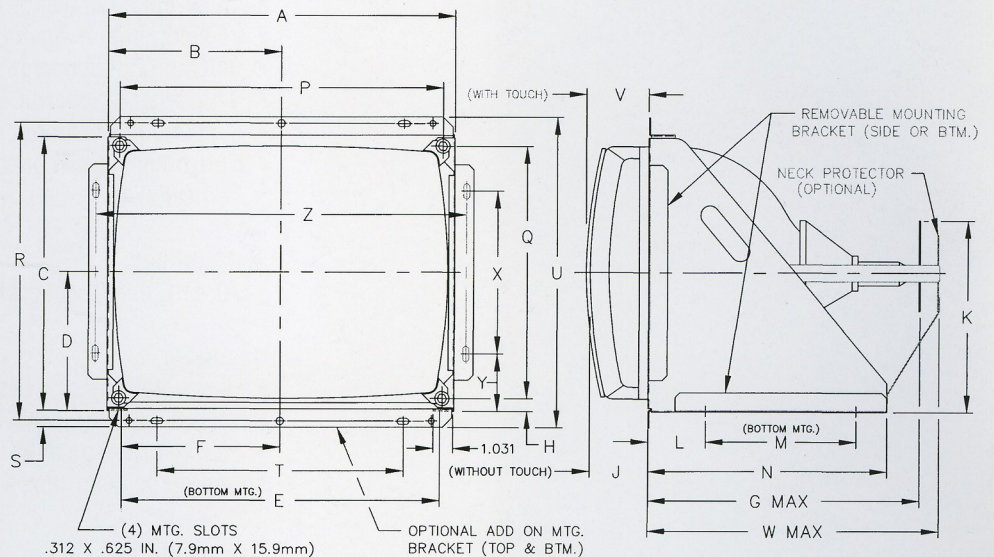
19" Color Monitor H0

| DIM. | IN. | MM. |
|------|--------|--------|
| A | 20.402 | 518.21 |
| B | 14.281 | 362.74 |
| C | 7.255 | 184.28 |
| D | 19.590 | 497.59 |
| E | 14.531 | 369.09 |
| F | 9.795 | 248.79 |
| G | 2.750 | 69.85 |
| H | 9.000 | 228.60 |
| J | 3.060 | 77.72 |
| K | 18.340 | 465.84 |
| L | 3.063 | 77.80 |
| M | 8.000 | 203.20 |
| N | 12.687 | 322.25 |
| P | 17.090 | 434.09 |
| Q | 13.266 | 336.96 |



19" Digital Monitor M2

| DIM. | IN. | MM. |
|------|--------|--------|
| A | 18.340 | 465.84 |
| B | 9.170 | 232.92 |
| C | 14.343 | 364.31 |
| D | 7.255 | 184.28 |
| E | 16.971 | 431.06 |
| F | 8.485 | 215.53 |
| G | 14.531 | 369.09 |
| H | .622 | 15.80 |
| J | 3.091 | 78.51 |
| K | 9.81 | 249.17 |
| L | 3.063 | 77.80 |
| M | 8.000 | 203.20 |
| N | 12.687 | 322.25 |
| P | 17.090 | 434.09 |
| Q | 13.260 | 336.80 |
| R | 15.740 | 399.80 |
| S | .968 | 24.59 |
| T | 12.843 | 326.21 |
| U | 16.440 | 417.58 |
| V | 3.281 | 83.34 |
| W | 15.280 | 388.11 |
| X | 8.500 | 215.90 |
| Y | 2.890 | 73.41 |
| Z | 19.593 | 497.66 |



Dimensions shown are for reference only. Specifications subject to change without notice.