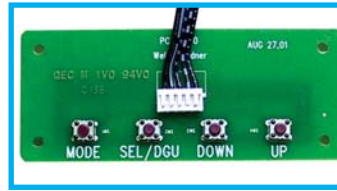
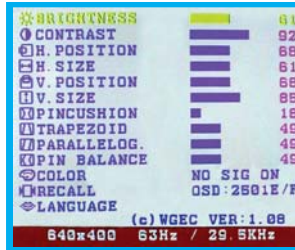


Digital Monitor



Push Button
Control Board



On-Screen Display

Power Input

- Input voltage: 90-264 VAC, 50-60 Hz; no isolation transformer required.
- Maximum power: 110 watts typ.

Resolution

- Graphics modes:
VGA: 640 X 200, 640 X 350, 640 X 480
SVGA: 800 X 600, 1024 X 768
XGA: 1280 X 1024
- Video bandwidth 50 MHz typ.

Miscellaneous

- Operating temperature: 0 to 55 degree C.
- Agency compliance: UL (UL6500, UL60950), CSA, CB (IEC65, IEC950), DHHS, CE

Specification

- CRT size (diagonal measure): 18" SemiFlat, 18" SuperFlat
- Phosphor type: P22
- Color Temperature: 9300°K +/- 500°K, 8500°K +/- 500°K or user controlled
- Dot trio spacing: 0.26 mm

Input Signals

- Input connector 15 pin D-sub high density male; VGA compatible
- Video type: RGB analog
- Video input impedance: 75 Ohm; other impedance optional
- Video level: 0.7 volts peak-to-peak; other levels optional
- Sync type: Standard VGA/SVGA TTL sync (positive or negative)
- Sync input impedance: >1K Ohm (H sync and V sync)
- Horizontal sync frequency: 30 to 70 KHz
- Vertical sync frequency: 40 to 160 Hz

Light Output

- 50 Ft-L min. (center block)

Geometry

- Horizontal linearity: ±7%
- Vertical linearity: ±5%
- Picture size regulation: 2%
- Geometric distortion: ±2% max.

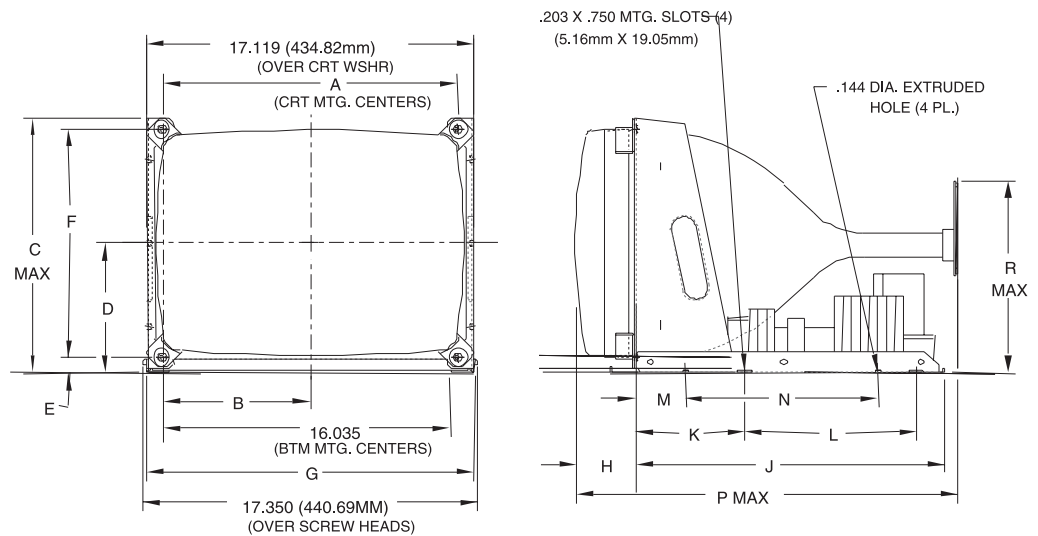
User Controls

- I²C bus remote controls: Brightness, contrast, horizontal size, horizontal position, vertical size, vertical position, pin cushion, trapezoid, parallelogram, pin balance, color temperature, recall (factory reset), language menu, manual degauss
- Internal controls Yoke reversal plug, sub brightness, focus, G2 (screen), tilt/ rotation control



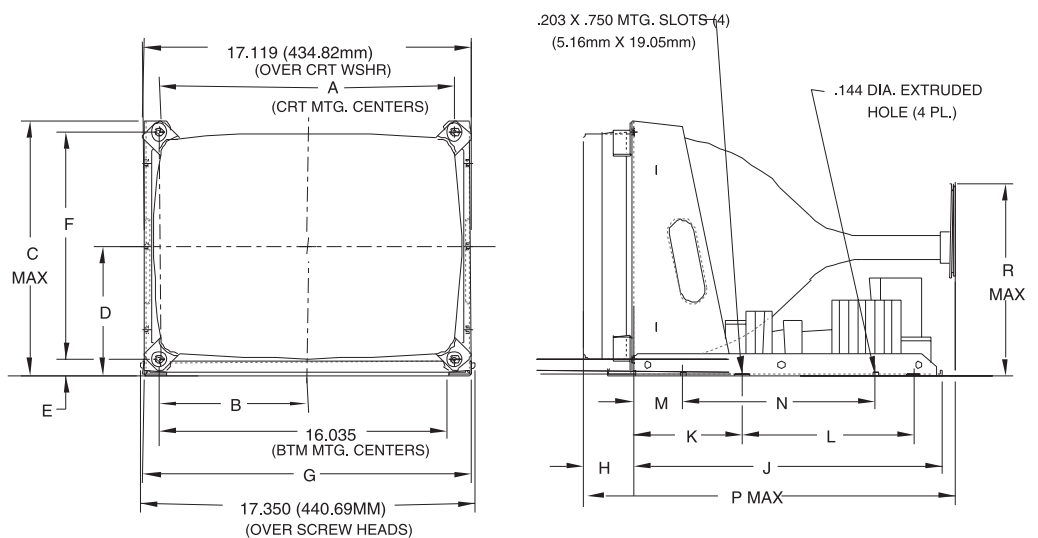
18" Digital Monitor Semi-Flat

DIM.	IN.	MM.
A	16.063	408.02
B	8.0315	204.01
C	13.562	344.47
D	6.824	173.33
E	.472	12.00
F	12.703	322.66
G	17.187	436.55
H	1.689	42.89
J	13.440	341.38
K	5.968	151.59
L	5.516	140.10
M	1.547	39.29
N	9.546	242.47
P	15.500	393.70
R	7.875	200.02



18" Digital Monitor Super-Flat

DIM.	IN.	MM.
A	16.063	408.02
B	8.0315	204.01
C	13.562	344.47
D	6.824	173.33
E	.472	12.00
F	12.703	322.66
G	17.187	436.55
H	1.625	41.27
J	13.440	341.38
K	5.968	151.59
L	5.516	140.10
M	1.547	39.29
N	9.546	242.47
P	17.230	437.70
R	7.875	200.02



Dimensions shown are for reference only. Specifications subject to change without notice.