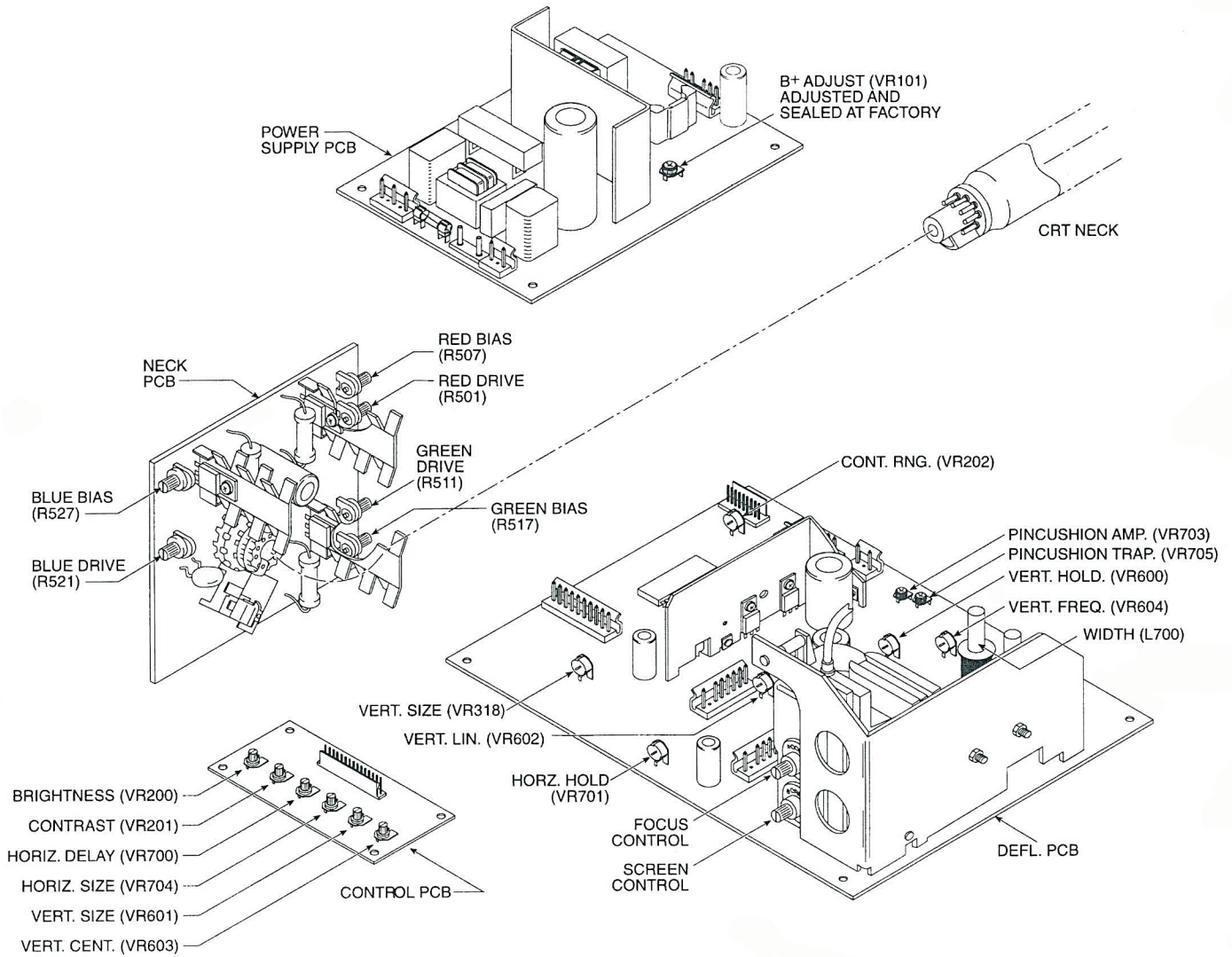




WELLS-GARDNER
ELECTRONICS CORPORATION

L A R G E S C R E E N - 27" U 3 0 0 0

Board Layout w/Connections and Controls

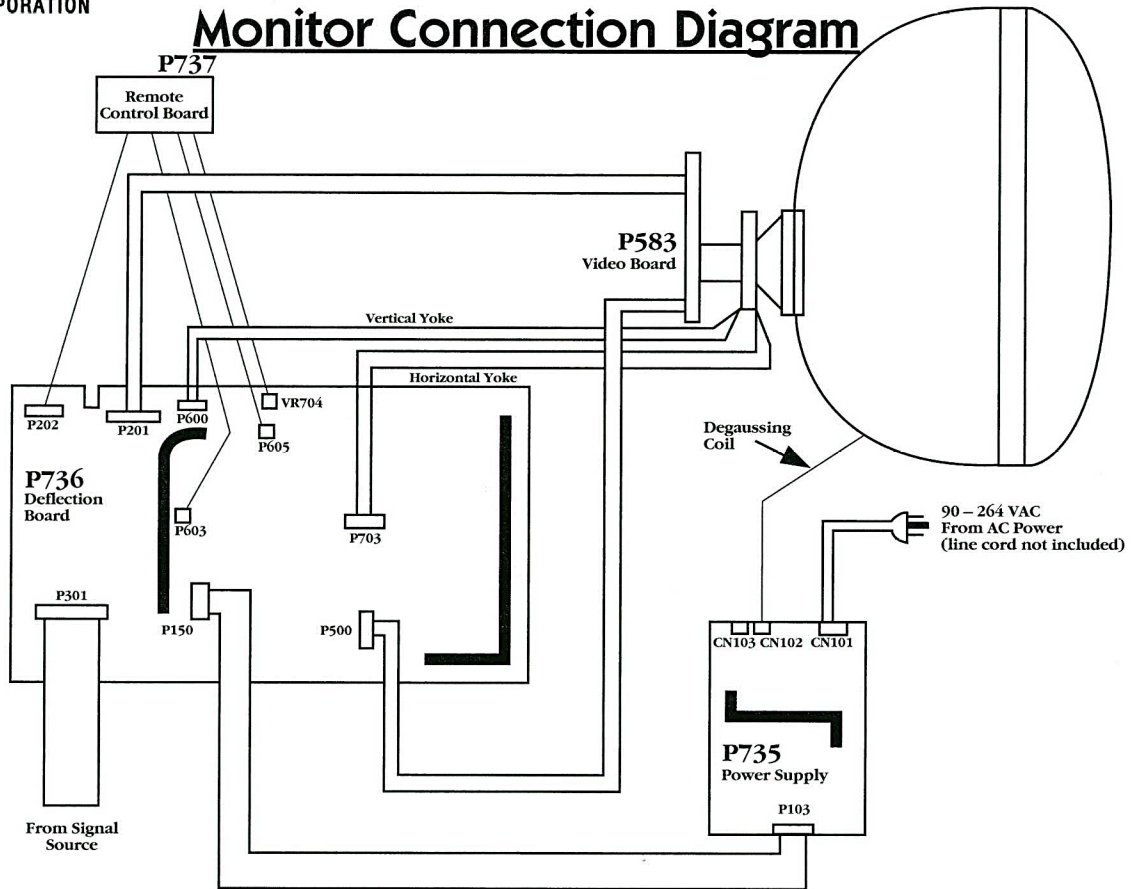




WELLS-GARDNER
ELECTRONICS CORPORATION

L A R G E S C R E E N - 27"
U 3 0 0 0

Monitor Connection Diagram



AC INPUT CONNECTOR: CN101

PCB Connector

Amp type 640445-5
Mating Amp type 640251-5

Pin	Description
1	AC hot
2	N/A
3	AC neutral
4	N/A
5	Ground

INPUT SIGNAL CONNECTOR: P301

PCB Connector

Amp type 1-640445-0
Mating Amp type 1-640251-0

Pin	Description
1	Horizontal sync
2	Vertical sync
3	Sync ground
4	Shield ground
5	Blue return
6	Green return
7	Red return
8	Blue video
9	Green video
10	Red video

Optional Cable Connector

Amp type 748364-1 (DB15)
Mating Amp type 748565-1

Pin	Description
1	Red video
2	Green video
3	Blue video
4	N/A
5	N/A
6	Red return
7	Green return
8	Blue return
9	N/A
10	Mode select
11	Sync return
12	N/A
13	Horizontal sync
14	Vertical sync
15	Shield ground