

REV.	DATE	BY	ISSUE	REVISIONS
ORIG.	10-18-94	ELW	10-18-94	RELEASED PER ECN F40007.
A	2-22-95	ELW	2-22-95	J.W.B. 10/17/94 PER ECN D50020 J.S. 2/24/95 TWL 2/95
B	8-14-95	ELW	8-14-95	PER ECN D50059 J.W.B. 8-12-95 TWL 8/95
C	10-11-95	ELW	10-11-95	PER ECN E50087 J.S. 10/9/95 TWL 10/95
D	2-2-96	ELW	2-2-96	PER ECN D60006 J.W.B. 8-14-95 TWL 1/96

CAUTION SAFETY CRITICAL COMPONENT.
 ★ X-RAY RADIATION RELATED COMPONENT.
 REPLACE ONLY WITH SAME TYPE PARTS AS SHOWN IN PARTS LIST.

NOTES:
 1. ALL RESISTORS ARE IN OHMS, 1/4W, 5% UNLESS OTHERWISE INDICATED.
 2. CAPACITANCE VALUES LESS THAN 1 ARE IN MICROFARADS. ABOVE 1 IN PICOFARADS UNLESS OTHERWISE INDICATED.

CONTROLLED DOCUMENT

WELLS-GARDNER ELECTRONICS CORPORATION
 2701 N. KILDARE AVE. CHICAGO, IL 60639
 PHONE: (312) 252-8220 TELE: 25-3286
 FAX: (312) 252-8072

RESTRICTED CONFIDENTIAL DOCUMENT
 THIS DRAWING AND ALL INFORMATION SHOWN HEREON ARE THE EXCLUSIVE PROPERTY OF WELLS-GARDNER CORP. AND ARE SUBMITTED ONLY ON A CONFIDENTIAL BASIS. THE RECIPIENT AGREES NOT TO REPRODUCE THE DRAWINGS, TO RETURN IT UPON REQUEST, AND THAT NO DISCLOSURE OF THE DRAWINGS OR THE INFORMATION SHOWN HEREON WILL BE MADE TO A THIRD PARTY WITHOUT PRIOR WRITTEN CONSENT FROM WELLS-GARDNER CORPORATION.

THE EXCLUSIVE USE OF DECIMAL DIMENSIONS ON THIS SHEET IS FOR THE CONVENIENCE IN CHECKING AND IS NOT TO BE CONSIDERED AS AN INDICATION OF CLOSER TOLERANCES THAN SPECIFIED BELOW UNLESS OTHERWISE SPECIFIED.

+/- .005 FOR ALL DIMENSIONS EXCEPT HOLE DIAMETERS.
 +/- .002 FOR ALL HOLE DIAMETERS AND ROUND PARTS.
 +/- .30° ON ANGULAR PARTS.

ALL DIMENSIONS ARE IN INCHES UNLESS OTHERWISE SPECIFIED.
 ALL THREADS TO BE CLASS #2 FIT.
 DO NOT SCALE THIS PRINT.
 READ ALL NOTES

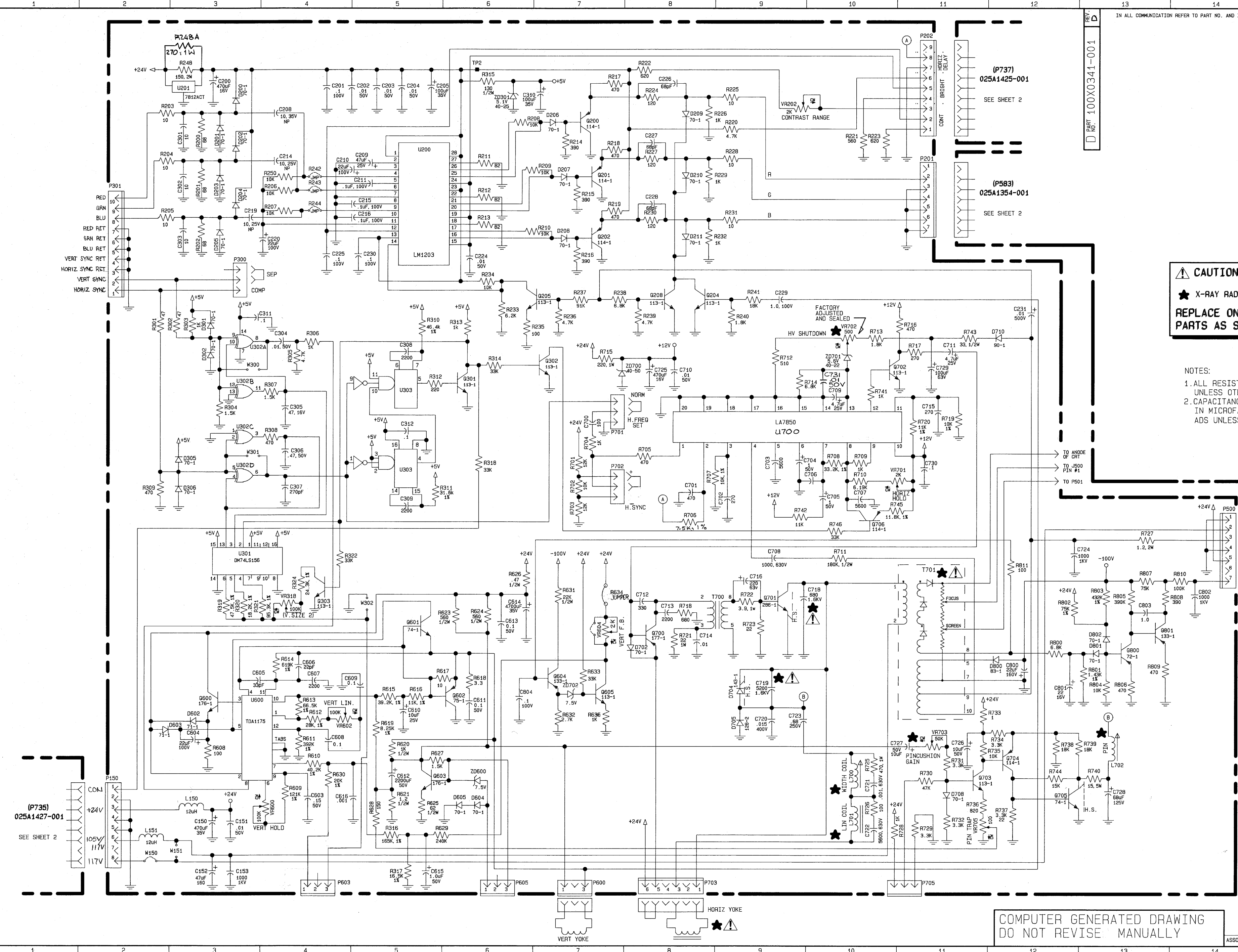
DRAWN BY	DATE	SCALE
TWL	9/94	-
APPROVED	APPROVED	NFS, REL.

MATERIAL SPECS	FINISH/COLOR
NONE	

SHEET 1 OF 2

NAME: SCHEMATIC DIAGRAM U3000

PART NO. 100X0341-001 REV. D

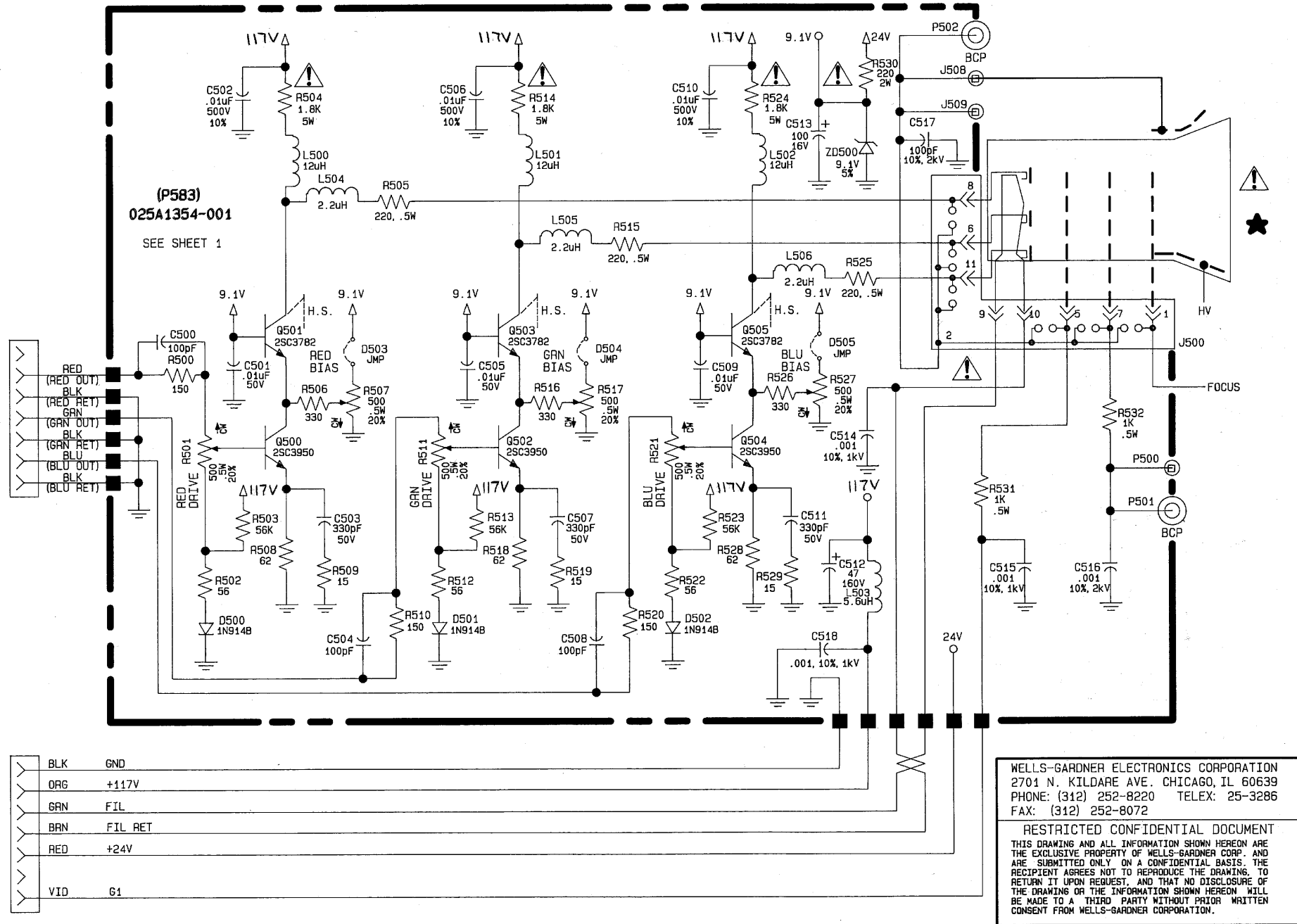
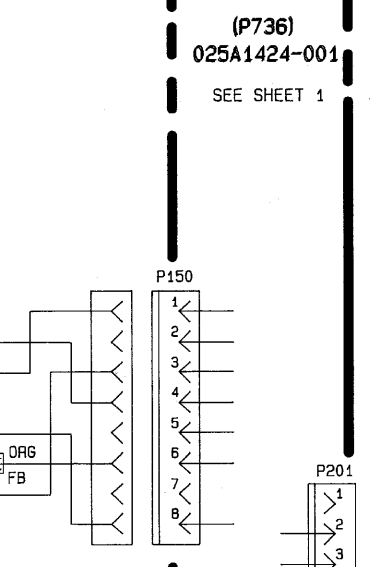
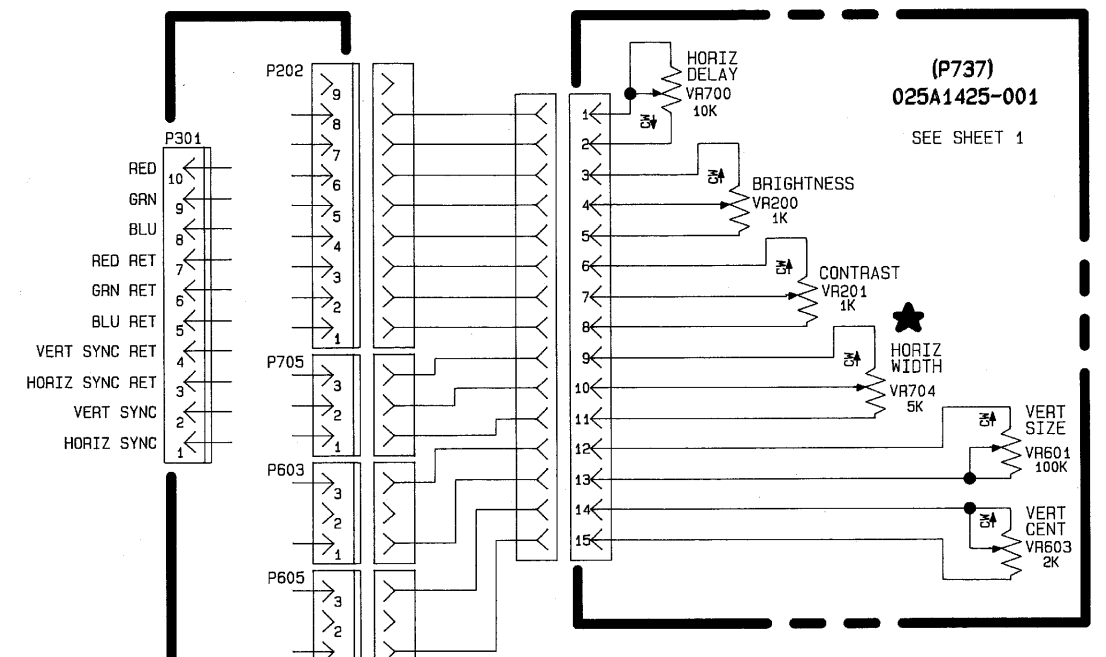
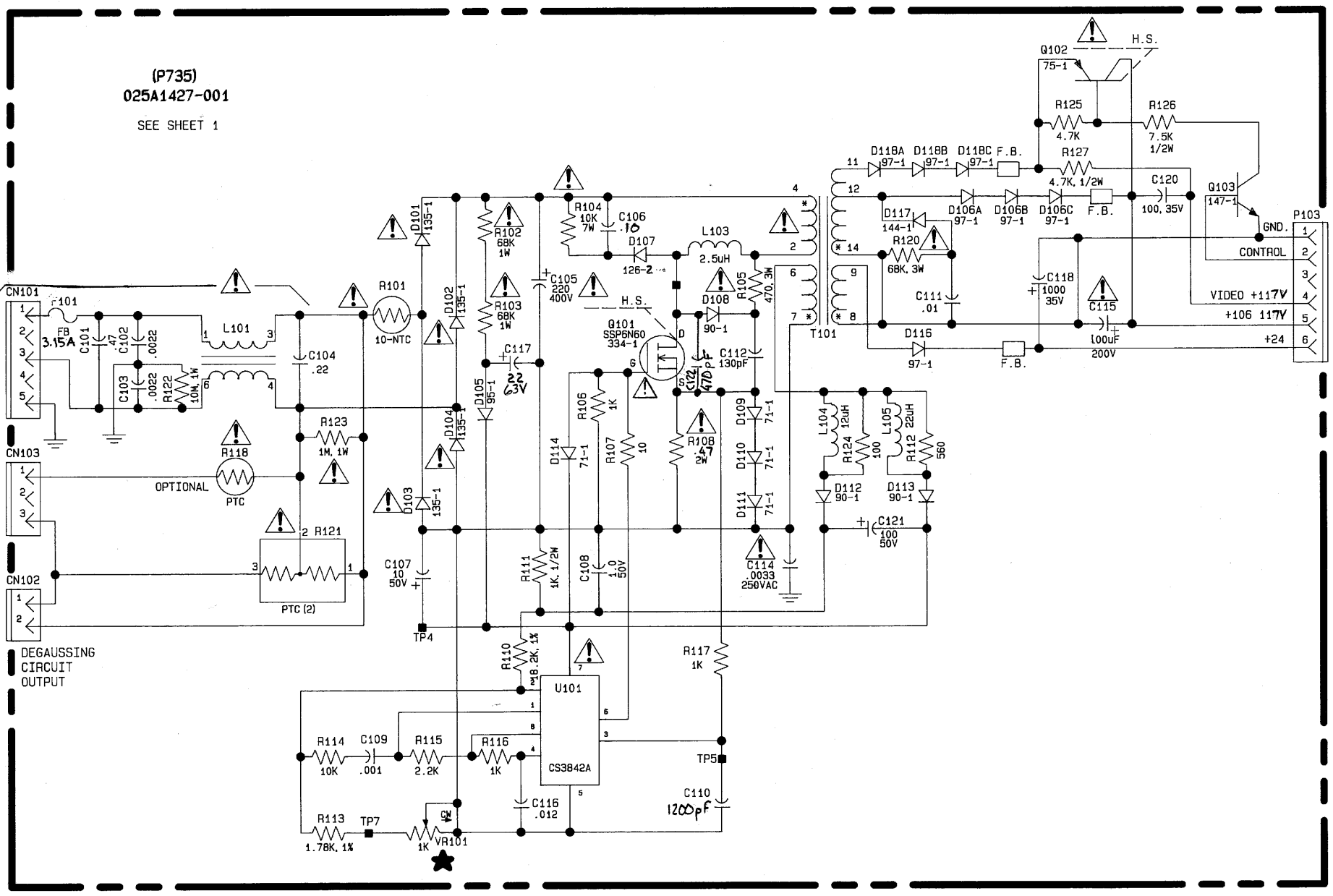


COMPUTER GENERATED DRAWING
 DO NOT REVISE MANUALLY

ASSOCIATE DRAWINGS

CAUTION SAFETY CRITICAL COMPONENT.
X-RAY RADIATION RELATED COMPONENT.
REPLACE ONLY WITH SAME TYPE PARTS AS SHOWN IN PARTS LIST.

NOTES:
 1. ALL RESISTORS ARE IN OHMS, 1/4W, 5% UNLESS OTHERWISE INDICATED.
 2. CAPACITANCE VALUES LESS THAN 1 ARE IN MICROFARADS. ABOVE 1 IN PICOFARADS UNLESS OTHERWISE INDICATED.



ISSUE	APP'D BY	REVISIONS
ORIG.	FLW 10-12-94	RELEASED PER ECN F40007. S.S. 10/17/94 TWL 10/94
A		SEE SHEET 1 OF 2
B	FLW 6-14-95	PER ECN D50059 S.S. 8-12-95 TWL 8/95
C	FLW 10-11-95	PER ECN E50087 S.S. 10/17/95 TWL 10/95
D	FLW 2-1-96	PER ECN D60006 TWL 1/96

PART 100X0341-001

WELLS-GARDNER ELECTRONICS CORPORATION
 2701 N. KILDARE AVE. CHICAGO, IL 60639
 PHONE: (312) 252-9220 TELE: 25-3286
 FAX: (312) 252-8072

RESTRICTED CONFIDENTIAL DOCUMENT
 THIS DRAWING AND ALL INFORMATION SHOWN HEREON ARE THE EXCLUSIVE PROPERTY OF WELLS-GARDNER CORP. AND ARE SUBMITTED ONLY ON A CONFIDENTIAL BASIS. THE RECIPIENT AGREES NOT TO REPRODUCE THE DRAWING, TO RETURN IT UPON REQUEST, AND THAT NO DISCLOSURE OF THE DRAWING OR THE INFORMATION SHOWN HEREON WILL BE MADE TO A THIRD PARTY WITHOUT PRIOR WRITTEN CONSENT FROM WELLS-GARDNER CORPORATION.

THE EXCLUSIVE USE OF DECIMAL DIMENSIONS ON THIS SHEET IS FOR THE CONVENIENCE IN CHECKING AND IS NOT TO BE CONSIDERED AS AN INDICATION OF CLOSER TOLERANCES THAN SPECIFIED BELOW UNLESS OTHERWISE SPECIFIED.

+/- .005 FOR ALL DIMENSIONS EXCEPT PND HOLES.
 +/- .002 FOR ALL ROUND HOLES AND ROUND PARTS.
 +/- .30° ON ANGULAR PARTS.

ALL DIMENSIONS ARE IN INCHES UNLESS OTHERWISE SPECIFIED.
 ALL THREADS TO BE CLASS #2 FIT.
 DO NOT SCALE THIS PRINT.

READ ALL NOTES

DRAWN BY	DATE	SCALE
TWL	9/94	-
APPROVED		HFG. REL.
MATERIAL SPECS	FINISH/COLOR	
NONE		
SHEET 2 OF 2		
NAME SCHEMATIC DIAGRAM U3000		
ASSOCIATE DRAWINGS	PART NO. 100X0341-001	REV. D

CONTROLLED DOCUMENT

COMPUTER GENERATED DRAWING
 DO NOT REVISE MANUALLY