

D WEL 100X0407-001

ISSUE	APP'D. BY	REVISIONS
ORIG.		RELEASED PER ECN F80009.
		TWL 03/98
A	RRL	PER ECN D80164.
		TWL 10/98
B	BAP	PER ECN D80193.
		TWL 12/98
C	BAP	PER ECN D80197.
		TWL 12/98
D	ARL	PER ECN C90007.
		TWL 02/99
E	Pt	PER ECN #D01129
		SJD 10/00

CAUTION SAFETY CRITICAL COMPONENT.
 ★ X-RAY RADIATION RELATED COMPONENT.
 REPLACE ONLY WITH SAME TYPE PARTS AS SHOWN IN PARTS LIST.

- NOTES:
 1. ALL RESISTORS ARE IN OHMS, 1/4W, 5% UNLESS OTHERWISE INDICATED.
 2. CAPACITANCE VALUES LESS THAN 1 ARE IN MICROFARADS, ABOVE 1 IN PICOFARADS UNLESS OTHERWISE INDICATED.

CONTROLLED DOCUMENT

COMPUTER GENERATED DRAWING DO NOT REVISE MANUALLY

WELLS-GARDNER ELECTRONICS CORPORATION
 2701 N. KILDARE AVE. CHICAGO, IL. 60639
 PHONE: (773) 252-8220
 FAX: (773) 292-5832

RESTRICTED CONFIDENTIAL DOCUMENT
 THIS DRAWING AND ALL INFORMATION SHOWN HEREON ARE THE EXCLUSIVE PROPERTY OF WELLS-GARDNER CORPORATION AND ARE SUBMITTED ONLY ON A CONFIDENTIAL BASIS. THE RECIPIENT AGREES NOT TO REPRODUCE THE DRAWING, TO RETURN IT UPON REQUEST, AND THAT NO DISCLOSURE OF THE DRAWING OR THE INFORMATION SHOWN HEREON WILL BE MADE TO A THIRD PARTY WITHOUT PRIOR WRITTEN CONSENT FROM WELLS-GARDNER CORPORATION.

THE EXCLUSIVE USE OF DECIMAL DIMENSIONS ON THIS SHEET IS FOR CONVENIENCE IN CHECKING AND IS NOT TO BE CONSTRUED AS AN INDICATION OF CLOSER TOLERANCES THAN SPECIFIED BELOW UNLESS OTHERWISE SPECIFIED.
 ± .010 FOR ALL DIMENSIONS EXCEPT ROUND HOLES.
 ± .002 FOR ALL ROUND HOLES AND ROUND PARTS.
 ± 30° ON ANGULAR DIMENSIONS.
 ALL DIMENSIONS ARE IN INCHES UNLESS OTHERWISE SPECIFIED.
 ALL THREADS TO BE CLASS #2 FIT.
 DO NOT SCALE THIS PRINT.
READ ALL NOTES.

DRAWN BY	DATE	SCALE
TWL	3/98	N/S
APPROVED (MECH.)	APPROVED (ELEC.)	APPROVAL DATE
ROBERT LUBE		
MATERIAL SPECS	FINISH/COLOR	
SHEET 1 OF 2 SHEET(S)	CAD DISK / DWG. NO.	
NAME		
SCHEM'DIAG' 17" STD.		

ASSOCIATE DRAWINGS D PART NO. 100x0407-001

CAUTION SAFETY CRITICAL COMPONENT.

X-RAY RADIATION RELATED COMPONENT.

REPLACE ONLY WITH SAME TYPE PARTS AS SHOWN IN PARTS LIST.

NOTES:

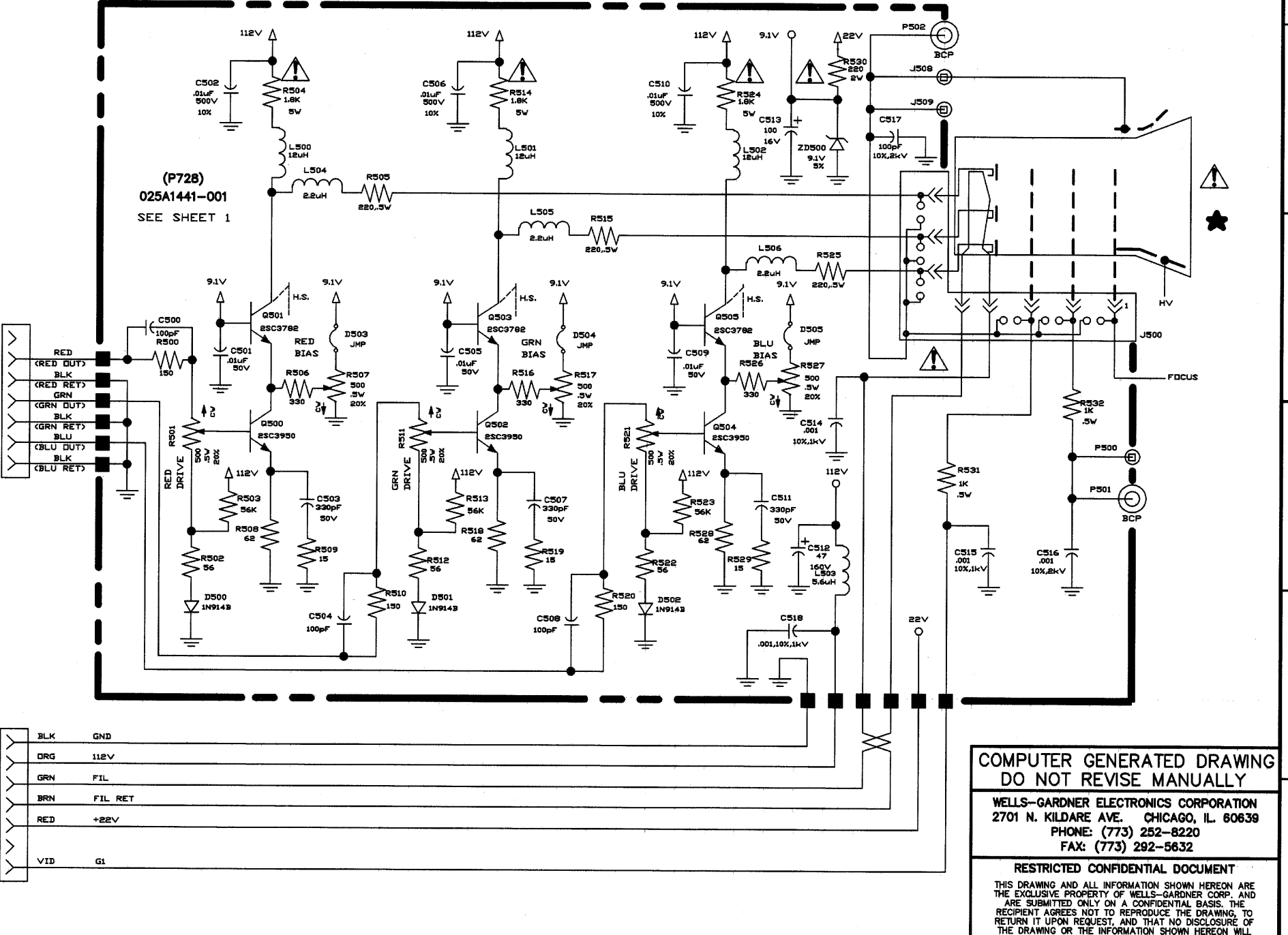
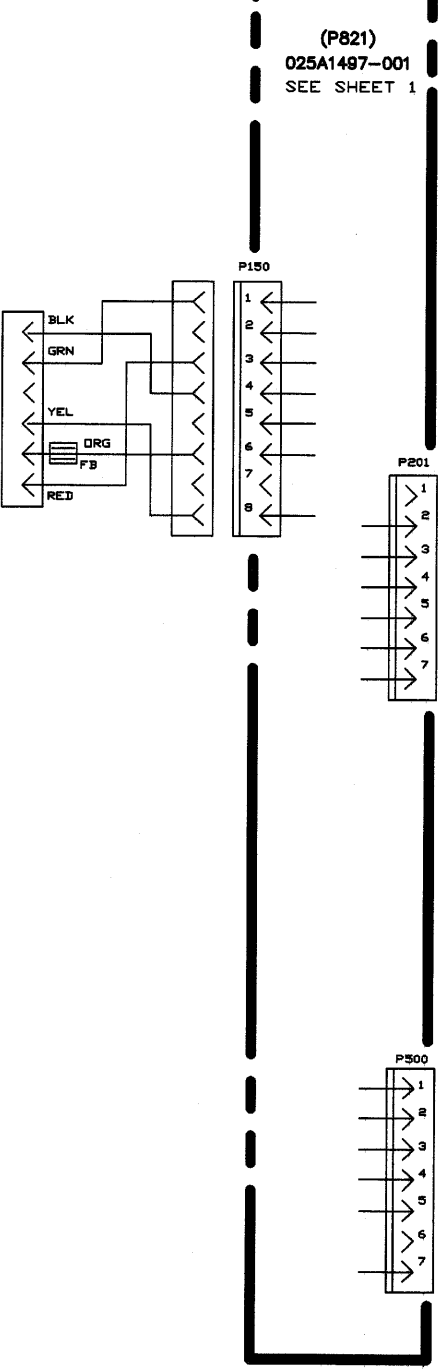
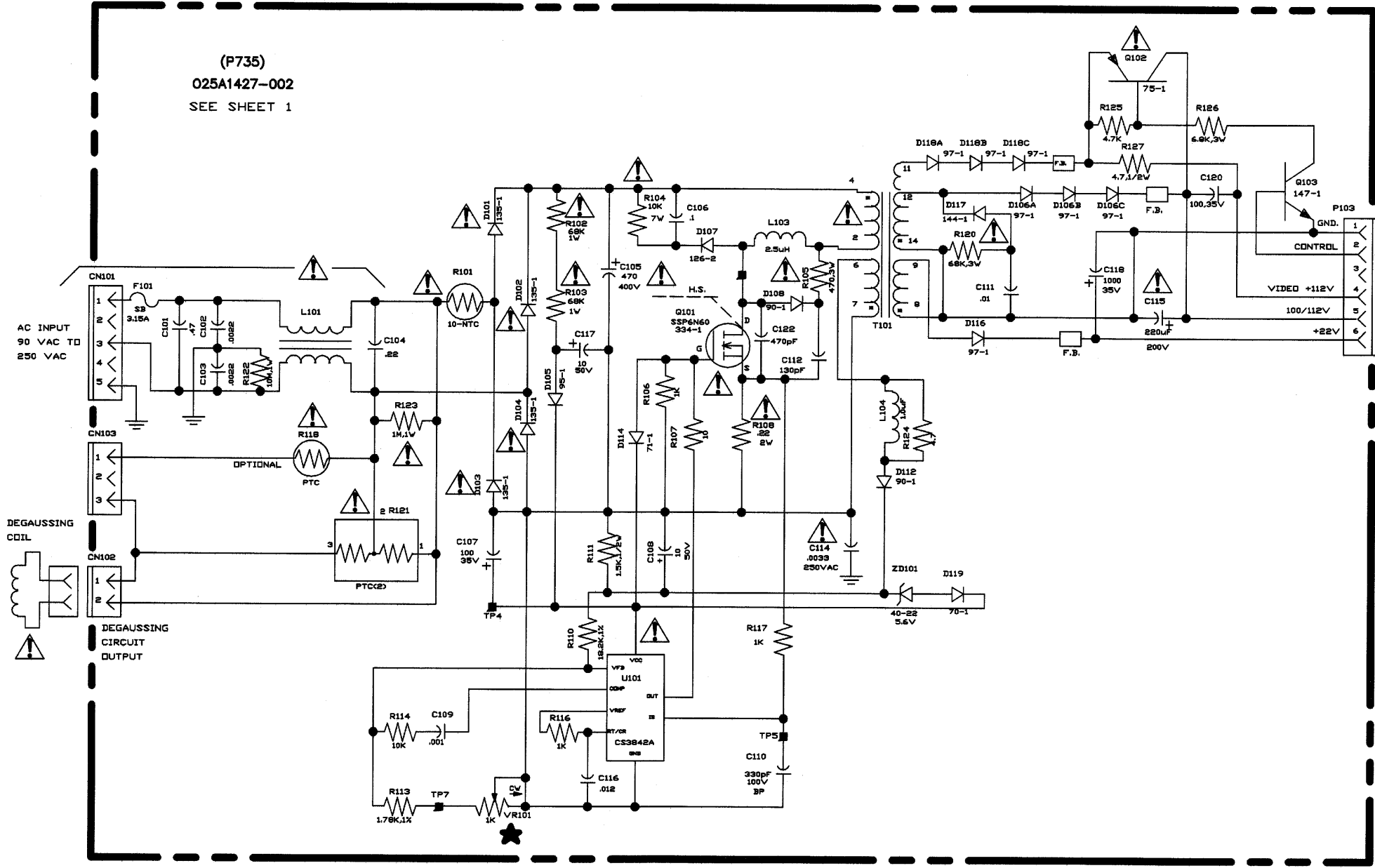
1. ALL RESISTORS ARE IN OHMS, 1/4W, 5% UNLESS OTHERWISE INDICATED.

2. CAPACITANCE VALUES LESS THAN 1 ARE IN MICROFARADS, ABOVE 1 IN PICOFARADS UNLESS OTHERWISE INDICATED.

IN ALL COMMUNICATION REFER TO PART NUMBER AND ISSUE

ISSUE	APP'D. BY	REVISIONS
ORIG.		RELEASED PER ECN F80009, TWL 03/98
A	RRL 10/98	PER ECN D80164, TWL 10/98
B	BAP 12/98	PER ECN D80193, TWL 12/98
C	BAP 12/98	PER ECN D80197, TWL 12/98
D	ARL 2/99	PER ECN C90007, TWL 02/99
E	PC 11/00	PER ECN #D01129 SJD 10/00

D WRT 100X0407-001



COMPUTER GENERATED DRAWING
DO NOT REVISE MANUALLY

WELLS-GARDNER ELECTRONICS CORPORATION
2701 N. KILDARE AVE. CHICAGO, IL 60639
PHONE: (773) 252-8220
FAX: (773) 292-5632

RESTRICTED CONFIDENTIAL DOCUMENT

THIS DRAWING AND ALL INFORMATION SHOWN HEREON ARE THE EXCLUSIVE PROPERTY OF WELLS-GARDNER CORP. AND ARE SUBMITTED ONLY ON A CONFIDENTIAL BASIS. THE RECIPIENT AGREES NOT TO REPRODUCE THE DRAWING TO RETURN IT UPON REQUEST, AND THAT NO DISCLOSURE OF THE DRAWING OR THE INFORMATION SHOWN HEREON WILL BE MADE TO A THIRD PARTY WITHOUT PRIOR WRITTEN CONSENT FROM WELLS-GARDNER CORPORATION.

THE EXCLUSIVE USE OF DECIMAL DIMENSIONS ON THIS SHEET IS FOR CONVENIENCE IN CHECKING AND IS NOT TO BE CONSTRUED AS AN INDICATION OF CLOSER TOLERANCES THAN SPECIFIED BELOW UNLESS OTHERWISE SPECIFIED.

± .010 FOR ALL DIMENSIONS EXCEPT ROUND HOLES.
± .002 FOR ALL ROUND HOLES AND ROUND PARTS.
± 30' ON ANGULAR DIMENSIONS.

ALL DIMENSIONS ARE IN INCHES UNLESS OTHERWISE SPECIFIED.
ALL THREADS TO BE CLASS #2 FIT.
DO NOT SCALE THIS PRINT.
READ ALL NOTES.

DRWN BY	DATE	SCALE
TWL	3/98	N/S
APPROVED (MECH.)	APPROVED (ELEC.)	APPROVAL DATE
ROBERT LUBE		
MATERIAL SPECS	FINISH/COLOR	
SHEET 2 OF 2 SHEET(S)		CAD DESK / DWG. NO.
NAME		
SCHEM'DIAG' 17" STD.		

CONTROLLED DOCUMENT

ASSOCIATE DRAWINGS D PART NO. 100X0407-001