



WELLS-GARDNER
ELECTRONICS CORPORATION

U3000
VGA/SVGA



certificate # 0104

U 3 0 0 0

PRODUCT SPECIFICATIONS

SPECIFICATIONS

- CRT size (diagonal measure): **14", 17" FS, 19"**
- Phosphor type: P22
- CRT etch: Polished faceplate; other faceplates available
- Phosphor trio spacing: .28mm or .39mm (14"), .42mm (17"FS), .71mm (19")

INPUT SIGNALS

- Input connector: 15 pin D-sub male; VGA compatible
- Video type: RGB analog
- Video input impedance: 75 Ohm; 470 Ohm optional
- Video level: 0.7 volts peak-to-peak; other levels optional
- Sync type: Standard VGA/SVGA TTL sync; composite optional
- Sync input impedance: 4.7 kOhm
- Horizontal sync frequency: 31.5, 35 kHz
- Vertical sync frequency: 56 to 70 Hz

LIGHT OUTPUT

40 fL typical

GEOMETRY

- Horizontal linearity: +/- 5%
- Vertical linearity: +/- 5%
- Picture size regulation: 1%
- Geometric distortion: +/- 2% max

POWER INPUT

- Input voltage: 90 - 264 VAC, 50 - 70 Hz; no isolation transformer required
- Max power: 130 Watts

USER CONTROLS

- Remote controls: Brightness, contrast, horizontal size, horizontal centering, vertical size, vertical centering
- Internal controls: Horizontal frequency, vertical frequency, vertical linearity, focus

MECHANICALS

See additional pages

MISCELLANEOUS

- Operating temperature: 0 to 55 degrees C
- Agency compliance: U.L., C.S.A., D.H.H.S. radiation performance standard, T.U.V.

RESOLUTION

- Graphics modes: VGA: 640 x 200, 640 x 350, 640 x 480
SVGA: 800 x 600
- Video bandwidth: 25 MHz typical

SPECIFICATIONS SUBJECT TO CHANGE WITHOUT NOTICE



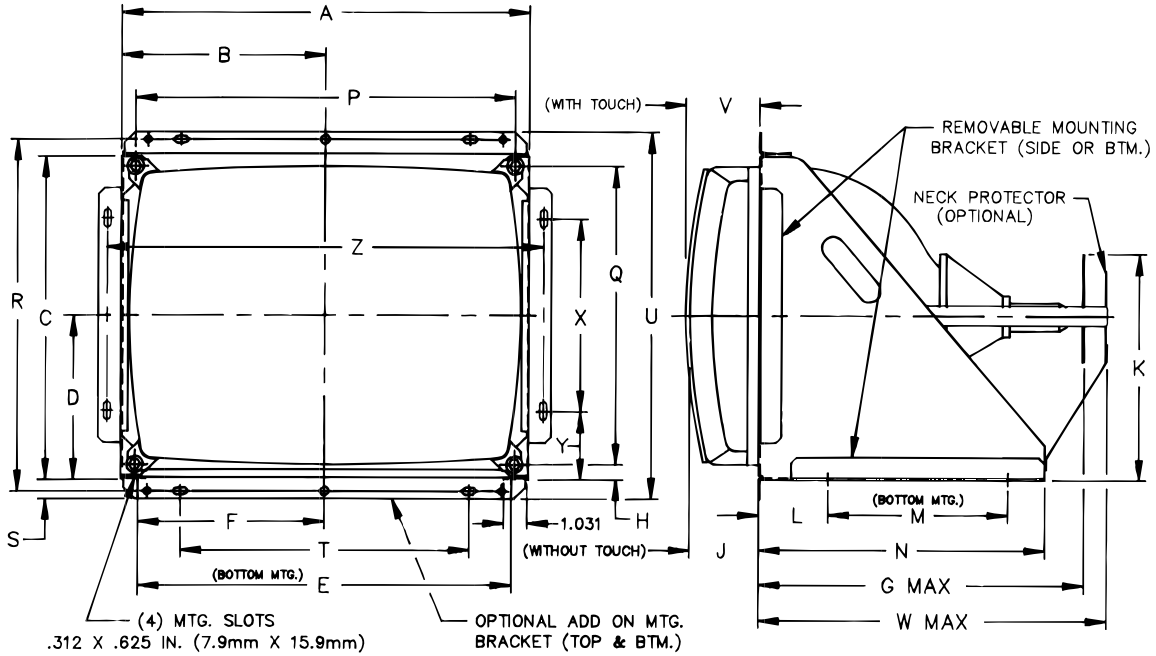
U 3 0 0 0

MECHANICAL SPECIFICATIONS



WELLS-GARDNER
ELECTRONICS CORPORATION

DIMENSIONS SHOWN ARE FOR REFERENCE ONLY. FOR SPECIFICS CONTACT W.G.E.C. ENGINEERING.
2701 North Kildare Avenue Chicago, Illinois 60639 Phone (773) 252-8920 Fax (773) 252-8072



19V Color Monitor 19-M2 (F19HM2) WG P/N: WGM1930-M2TS42E

DIM.	A	B	C	D	E	F	G	H	J	K	L	M	N	P	Q	R	S	T	U	V	W	X	Y	Z
IN.	18.340	9.170	14.343	7.955	16.971	8.485	14.531	.692	3.091	9.81	3.063	8.000	12.687	17.090	13.260	15.740	.968	12.843	16.440	3.281	15.280	8.500	2.890	19.593
mm.	465.84	232.92	364.31	184.28	431.06	215.53	369.09	15.80	78.51	249.17	77.80	203.20	322.25	434.09	336.80	399.80	24.59	326.21	417.58	83.34	388.11	215.9	73.41	497.66