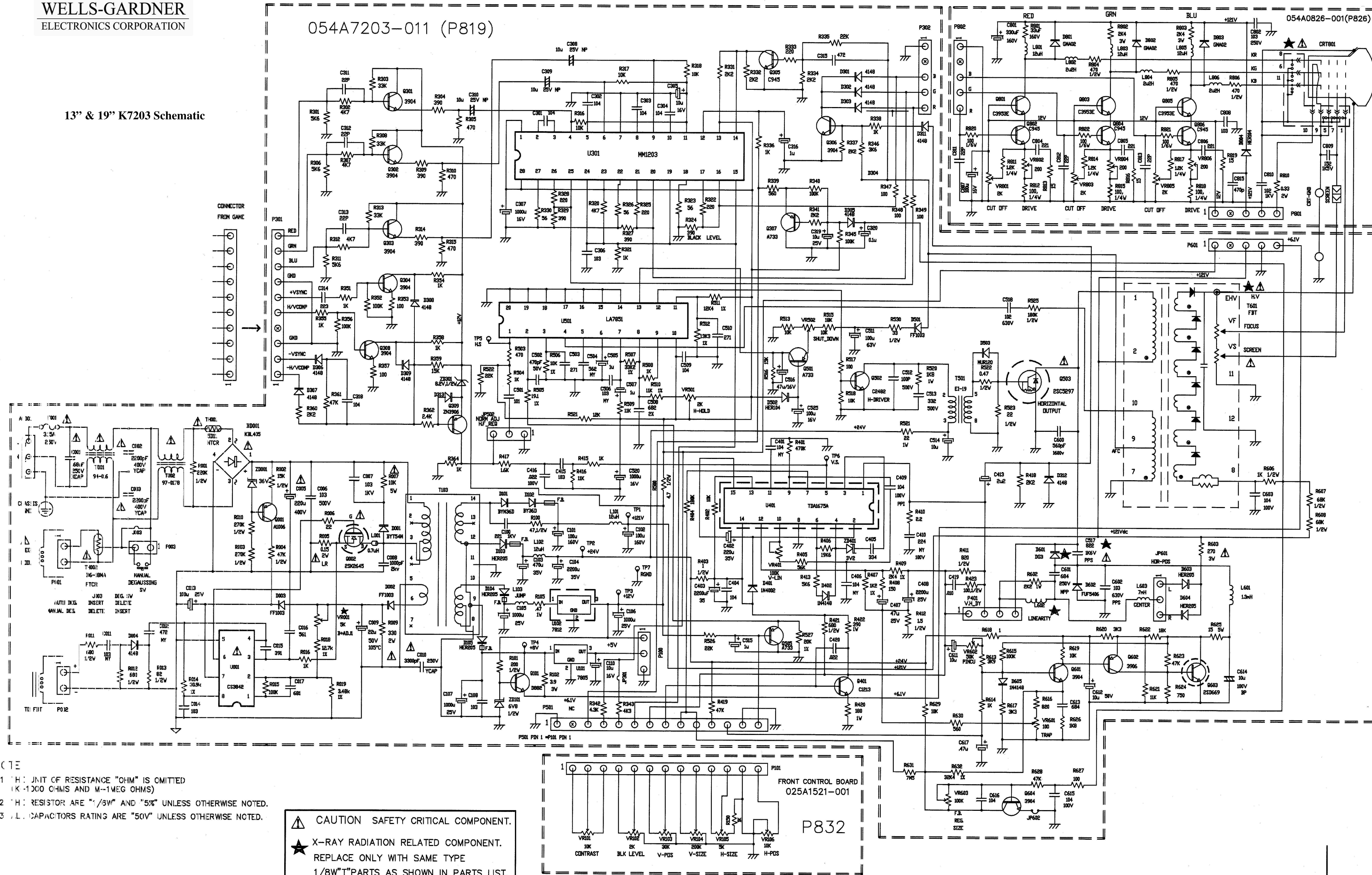




WELLS-GARDNER
ELECTRONICS CORPORATION

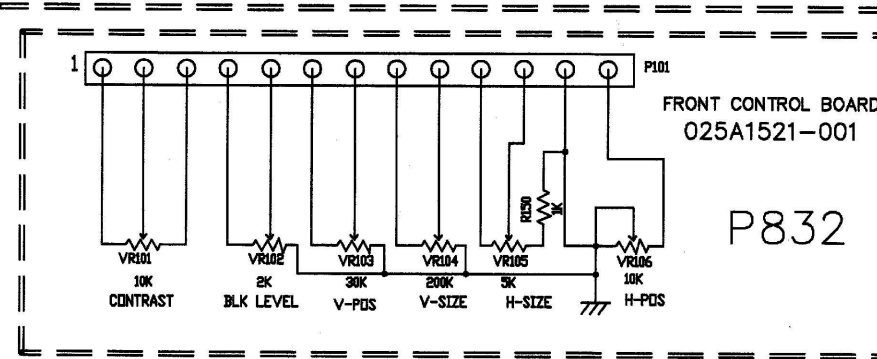
13" & 19" K7203 Schematic

054A7203-011 (P819)



- NOTE
1. UNIT OF RESISTANCE "OHM" IS OMITTED (K-1000 OHMS AND M-1MEG OHMS)
 2. ALL RESISTOR ARE "1/3W" AND "5%" UNLESS OTHERWISE NOTED.
 3. ALL CAPACITORS RATINGS ARE "50V" UNLESS OTHERWISE NOTED.

⚠ CAUTION SAFETY CRITICAL COMPONENT.
 ★ X-RAY RADIATION RELATED COMPONENT.
 REPLACE ONLY WITH SAME TYPE
 1/8" W T PARTS AS SHOWN IN PARTS LIST.



Dwg No. 154X7203-011

IN ALL COMMUNICATION REFER TO PART NUMBER AND ISSUE

ISSUE	APP'D. BY	REVISIONS
ORIG.	JL 4/27/00	RELEASED PER ECN# F01038 SJO 4/27/00
A		RELEASED PER ECN #B01006 SJO 8/9/00
B	J.S. 2/6/02	RELEASED PER ECN #D12012 SJO 2/5/02
C	LS	RELEASED PER ECN #D12018 TJS 2/23/02

CONTROLLED DOCUMENT

COMPUTER GENERATED DRAWING
DO NOT REVISE MANUALLY
 WELLS-GARDNER ELECTRONICS CORPORATION
 9500 W. 55th Street McCook, IL 60525
 PHONE: (708) 290-2100
 FAX: (708) 290-2202

RESTRICTED CONFIDENTIAL DOCUMENT
 THIS DRAWING AND ALL INFORMATION SHOWN HEREON ARE THE EXCLUSIVE PROPERTY OF WELLS-GARDNER CORP. AND ARE SUBMITTED ONLY ON A CONFIDENTIAL BASIS. THE RECIPIENT AGREES NOT TO REPRODUCE THE DRAWING, TO RETURN IT UPON REQUEST, AND THAT NO DISCLOSURE OF THE DRAWING OR THE INFORMATION SHOWN HEREON WILL BE MADE TO A THIRD PARTY WITHOUT PRIOR WRITTEN CONSENT FROM WELLS-GARDNER CORPORATION.

THE EXCLUSIVE USE OF DECIMAL DIMENSIONS ON THIS SHEET IS FOR CONVENIENCE IN CHECKING AND IS NOT TO BE CONSTRUED AS AN INDICATION OF CLOSER TOLERANCES THAN SPECIFIED BELOW UNLESS OTHERWISE SPECIFIED.
 ± .010 FOR ALL DIMENSIONS EXCEPT HOLE SIZES.
 ± .002 FOR ALL ROUND HOLES AND ROUND PARTS.
 ± 30' ON ANGULAR DIMENSIONS.
 ALL DIMENSIONS ARE IN INCHES UNLESS OTHERWISE SPECIFIED.
 ALL THREADS TO BE CLASS #2 FT.
 DO NOT SCALE THIS PRINT.
 READ ALL NOTES.

DRAWN BY	SJO	DATE	4/26/00	SCALE	N/S
APPROVED (MECH.)	ROBERT LUBE	APPROVED (ELEC.)		APPROVAL DATE	
MATERIAL SPECS		FINISH/COLOR			

SHEET 1 OF 1 SHEET(S) CAD DSK / DWG. NO. 154X/154X720311
 NAME K7200" A" 19" SCHEM'DIAG'

ASSOCIATE DRAWINGS D PART NO. 154X7203-011