



WELLS-GARDNER
ELECTRONICS CORPORATION

K7200

STANDARD RES



K 7 2 0 0

PRODUCT SPECIFICATIONS

SPECIFICATIONS

- CRT size (diagonal measure): **13", 19"**
- Phosphor type: P22
- CRT etch: Polished faceplate; other faceplates available
- Striped trio spacing: 0.42mm & 0.63mm (13")
0.71mm (19")

INPUT SIGNALS

- Input connector: 0.156 center headers
- Video type: RGB analog
- Video input impedance: 4.7K Ohm; other values available
- Video level: 1 to 5 volts peak-to-peak; other levels optional
- Sync type: TTL sync; separate or composite, negative or positive
- Sync input impedance: 20K Ohm for positive, 12K Ohm for negative
- Horizontal sync frequency: 15.75 KHz
- Vertical sync frequency: 47 to 63 Hz

LIGHT OUTPUT

40 fL typical

GEOMETRY

- Horizontal linearity: +/-5% max.
- Vertical linearity: +/-5% max.
- Picture size regulation: 2% max.
- Geometric distortion: +/-2% max.

POWER INPUT

- Input voltage: 90 - 264 VAC, 50 - 60 Hz; no isolation transformer required
- Maximum power: 70 Watts (19")

USER CONTROLS

- Remote controls: Brightness, contrast, horizontal centering, vertical size, vertical centering, vertical hold
- Internal controls: Horizontal hold, horizontal size, focus

MECHANICAL

See additional pages

MISCELLANEOUS

- Operating temperature: 0° to 55°C
- Agency compliance: U.L., C.S.A., D.H.H.S. radiation performance std., TUV.

RESOLUTION

- Graphics modes: 640 X 200 (may be limited by the CRT)
- Video bandwidth: 12 MHz typical

SPECIFICATION SUBJECT TO CHANGE WITHOUT NOTICE



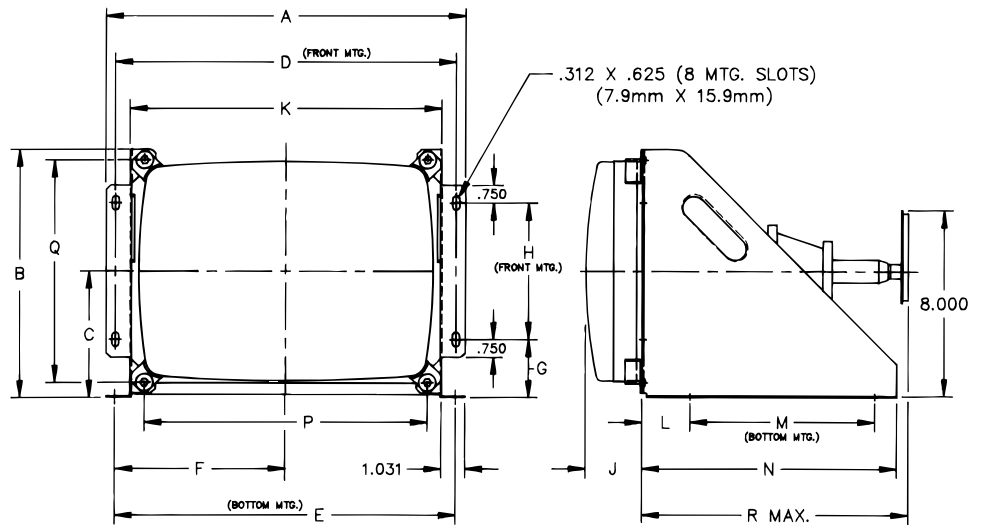
K 7 2 0 0 MECHANICAL SPECIFICATIONS



WELLS-GARDNER
ELECTRONICS CORPORATION

DIMENSIONS SHOWN ARE FOR REFERENCE ONLY. FOR SPECIFICS CONTACT W.G.E.C. ENGINEERING.
2701 North Kildare Avenue Chicago, Illinois 60639 Phone (773) 252-8220 Fax (773) 252-8072

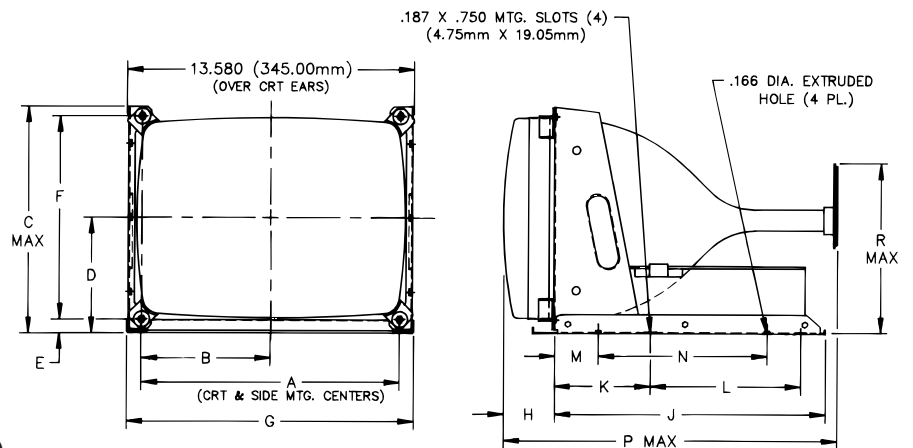
WG P/N: WGM1372-H0TS27G



13V Color Monitor 13-H0 (F13H)

DIM.	A	B	C	D	E	F	G	H	J	K	L	M	N	P	Q	R
IN.	15.625	10.687	5.437	14.812	14.812	7.406	2.500	5.875	2.450	13.526	2.062	8.000	11.000	12.260	9.578	11.750
mm.	396.9	271.4	138.1	376.2	376.2	188.1	63.5	149.2	62.23	343.56	52.37	203.2	279.4	311.15	243.28	298.45

WG P/N: WGM1372-M1TM57F
WGM1372-M1TS30F
Inverted Picture for Merit



13V Color Monitor 13-M1 (F13HM1)

DIM.	A	B	C	D	E	F	G	H	J	K	L	M	N	P	R
IN.	12.260	6.130	10.673	5.334	.547	9.575	12.980	2.450	10.860	4.300	5.500	1.550	7.500	13.775	8.000
mm.	311.40	155.70	271.10	135.50	13.89	243.20	329.70	62.23	275.84	109.22	139.70	39.37	190.50	350.00	203.20



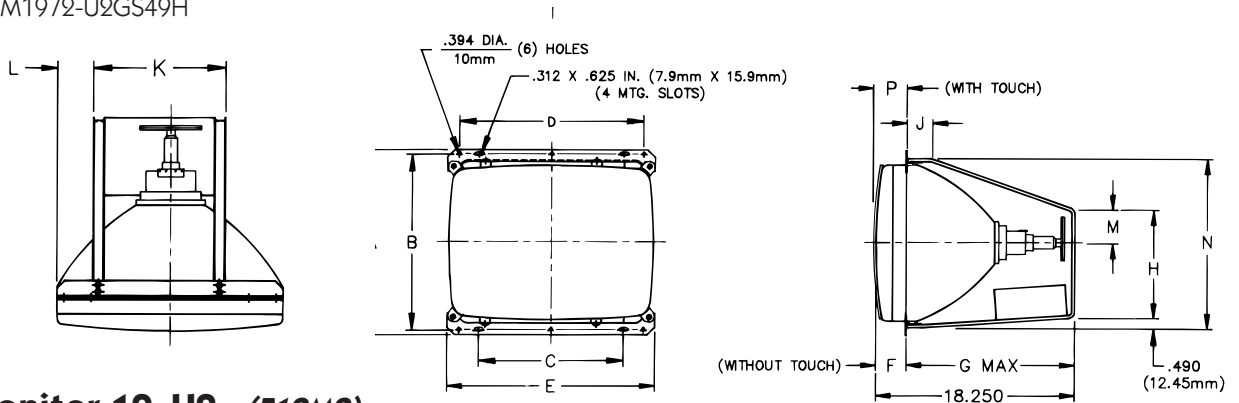
K 7 2 0 0 MECHANICAL SPECIFICATIONS



WELLS-GARDNER
ELECTRONICS CORPORATION

DIMENSIONS SHOWN ARE FOR REFERENCE ONLY. FOR SPECIFICS CONTACT W.G.E.C. ENGINEERING.
2701 North Kildare Avenue Chicago, Illinois 60639 Phone (773) 252-8220 Fax (773) 252-8072

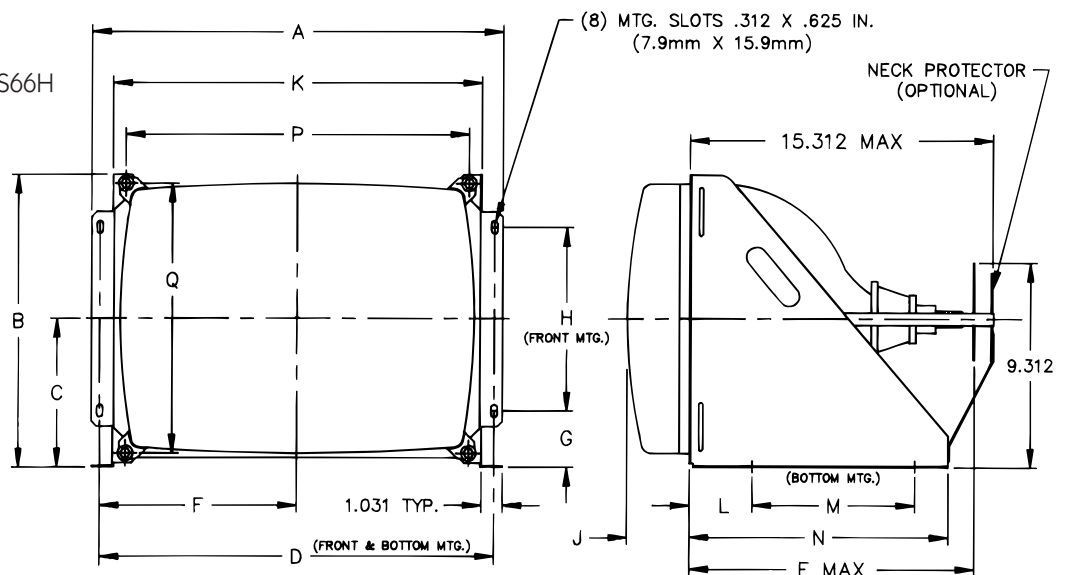
WG P/N: WGM1972-U2GS49H



19V Color Monitor 19-U2 (F19M2)

DIM.	A	B	C	D	E	F	G	H	J	K	L	M	N	P
IN.	16.437	15.765	12.843	15.765	18.125	3.090	15.160	9.325	1.750	10.125	3.093	2.250	15.280	3.295
mm.	417.50	400.43	326.21	400.43	460.38	78.49	385.06	236.86	44.45	257.20	78.56	57.15	388.11	83.70

WG P/N: WGM1972-H0GS66H



19V Color Monitor 19-H0 (F19H)

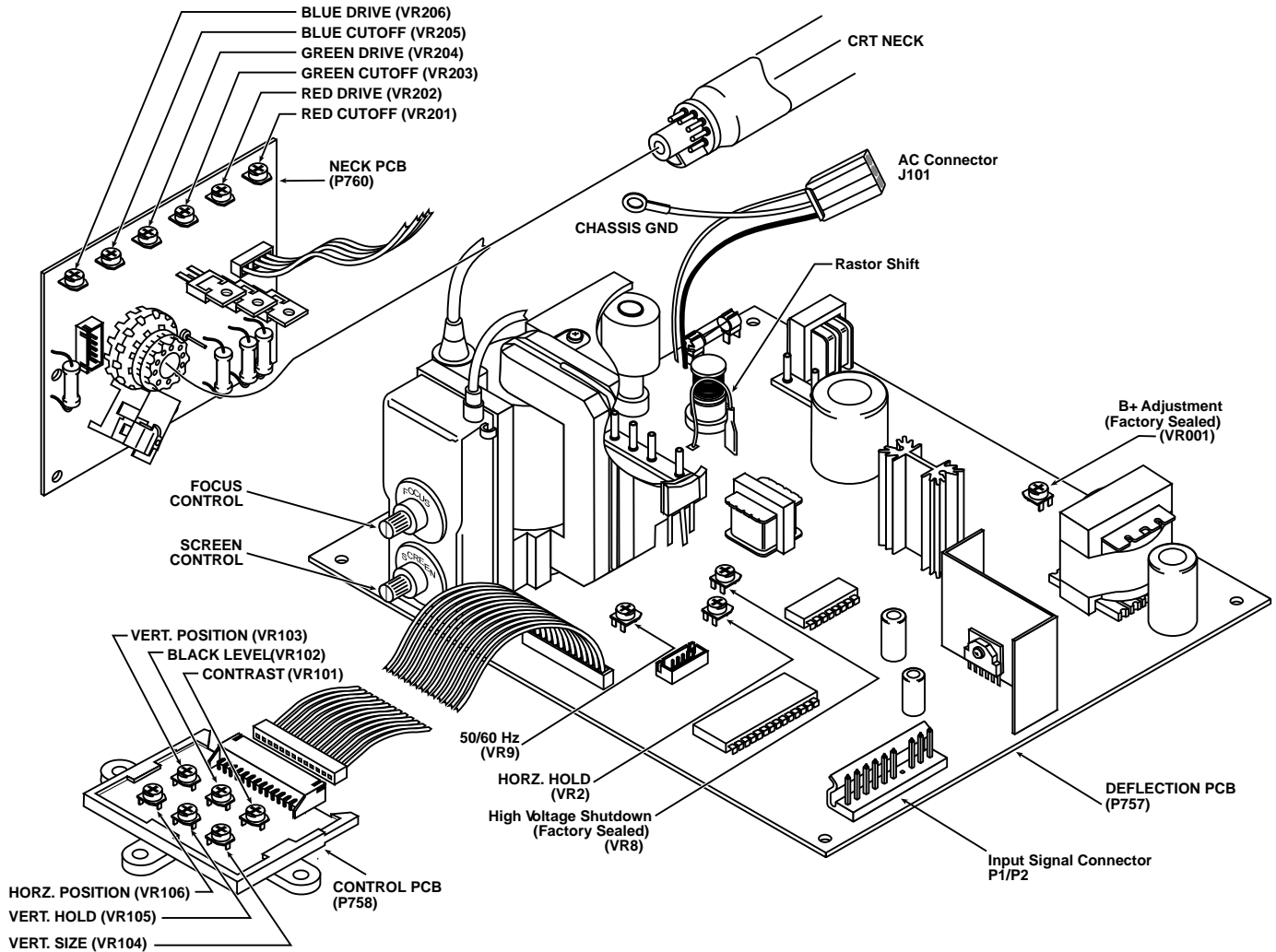
DIM.	A	B	C	D	E	F	G	H	J	K	L	M	N	P	Q
IN.	20.402	14.281	7.255	19.590	14.531	9.795	2.750	9.000	3.060	18.340	3.060	8.000	12.687	17.090	13.266
mm.	518.21	362.74	184.28	497.59	369.09	248.79	69.85	228.60	77.72	465.84	77.80	203.20	322.25	434.09	336.96



M O D E L
1 9 K 7 2 0 1



WELLS-GARDNER
ELECTRONICS CORPORATION



AC INPUT CONNECTOR: J101

Molex type 19-09-2039
Mating Molex type 19-09-1039

Pin	Description
1	AC hot
2	Earth ground
3	AC neutral

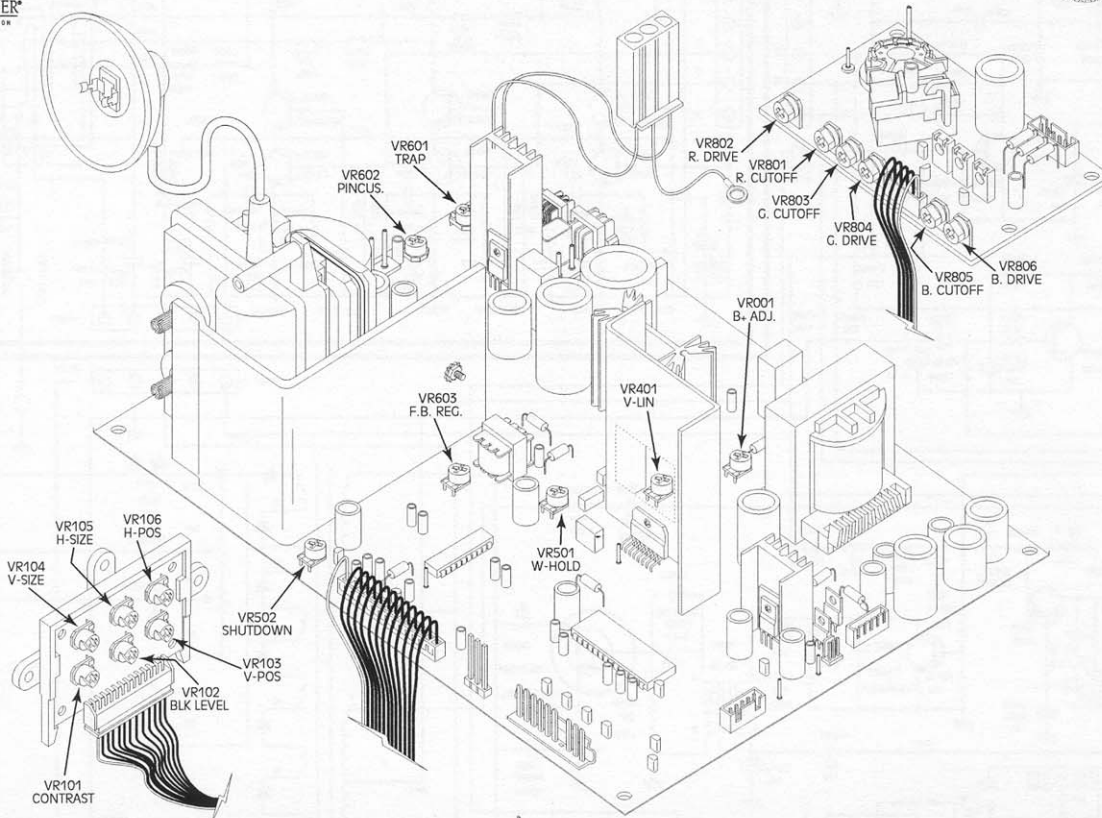
INPUT SIGNAL CONNECTOR: P1/P2

JST type B10P-VR
Mating Molex type 09-50-7101

PC Connector Pin	Description	Mating Connector Pin
1	Red	10
2	Green	9
3	Blue	8
4	Gnd	7
5	+ Vertical Sync	6
6	+ Horizontal Sync	5
7	Key	4
8	Gnd	3
9	- Vertical Sync	2
10	- Horizontal Sync	1



MODEL 13K7203 / MODEL 19K7203



AC INPUT CONNECTOR: J101

Molex type 19-09-2039
Mating Molex type 19-09-1039

Pin	Description
1	AC hot
2	Earth ground
3	AC neutral

INPUT SIGNAL CONNECTOR: P1/P2

JST type B10P-VR
Mating Molex type 09-50-7101

PC Connector Pin	Description	Mating Connector Pin
1	Red	10
2	Green	9
3	Blue	8
4	Gnd	7
5	+ Vertical Sync	6
6	+ Horizontal Sync	5
7	Key	4
8	Gnd	3
9	- Vertical Sync	2
10	- Horizontal Sync	1

Component Differences between P819 and P859 P819 PCB RS 7200 REV "A" DEFL BRD (025A1523-001) 19" P859 PCB RS K7200 REV "A" DF BD (0251615-001) 13"

P 8 1 9		
DESIGNATION	DESCRIPTION	PART NO.
C601	CAP .68UF 5% 250V P-PROP	2APV3939-684
L602	LINEARITY COIL 19" (SVC 0017-002)	009A3017-001
R018	RES 12.7K OHM 1% 1/4W MF	421X1272-221
R505	RES 19.1K OHM 1% 1/4W MF	421X1912-221
R513	RES 10K OHM 5% 1/6W CF	2AQF0650-103

P 8 5 9		
DESIGNATION	DESCRIPTION	PART NO.
C601	CAP .39UF 5% 200V P-PROP	046X0536-046
L602	LINEARITY COIL 19" (SVC 0017-003)	009A3017-002
R018	RES 13.7K OHM 1% 1/4W MF	421X1372-221
R505	RES 16.5K OHM 1% 1/4W MF	421X1652-221
R513	RES 12K OHM 5% 1/6W CF	422X1123-132