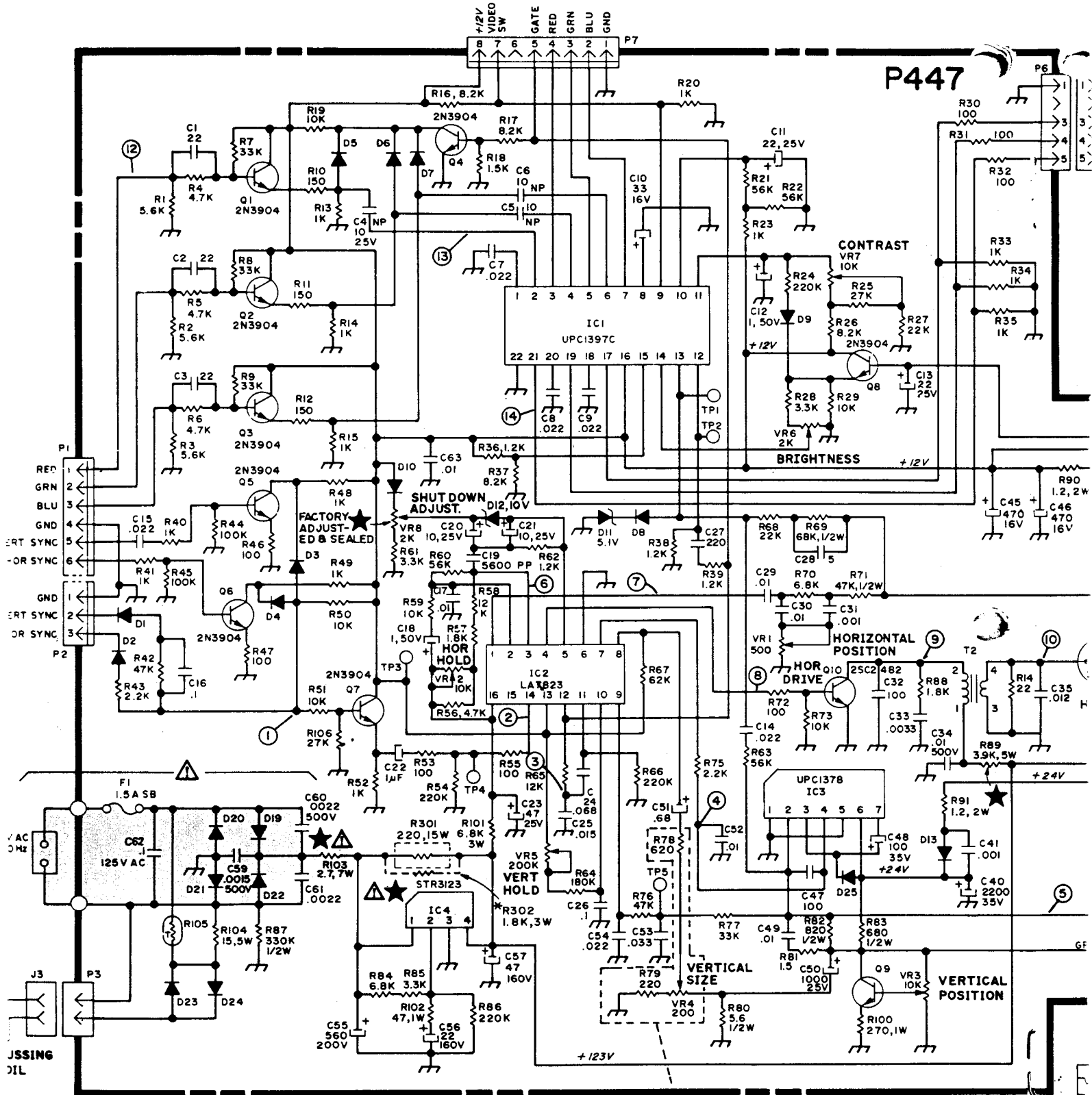
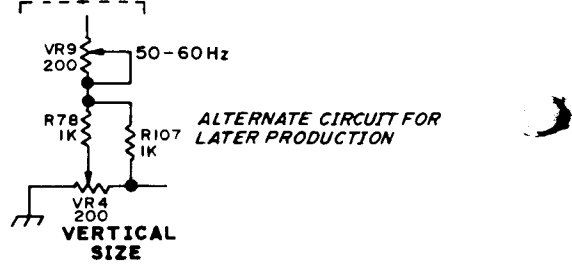
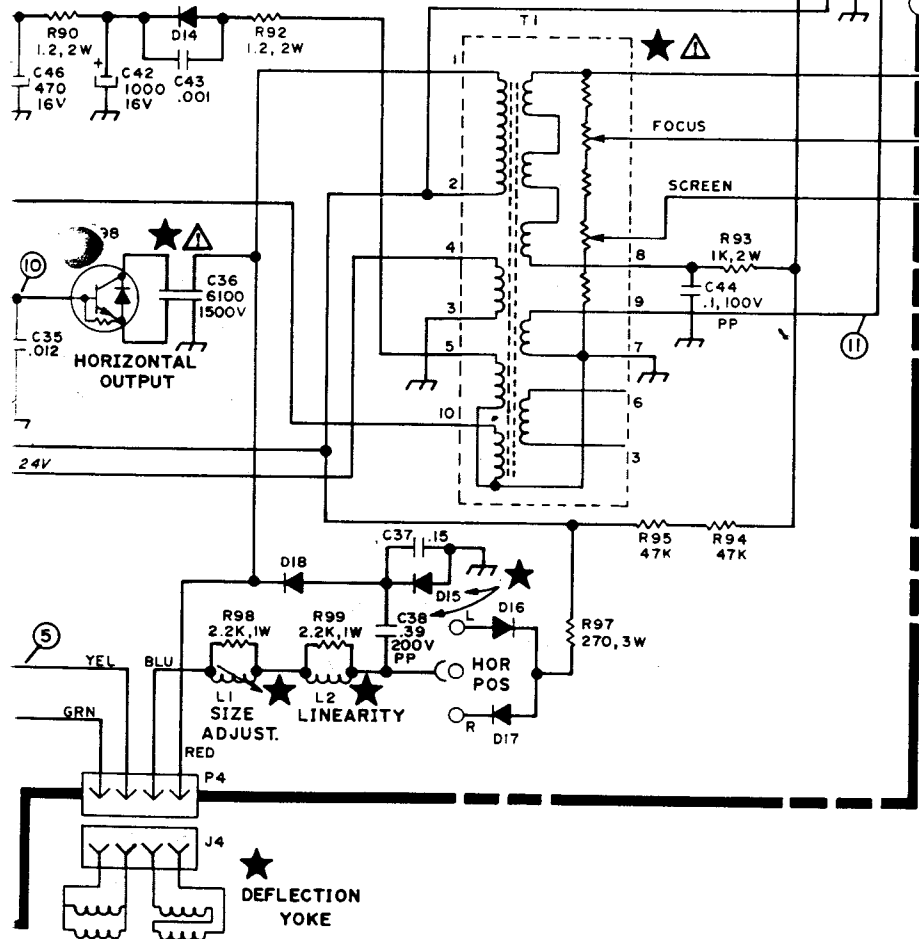
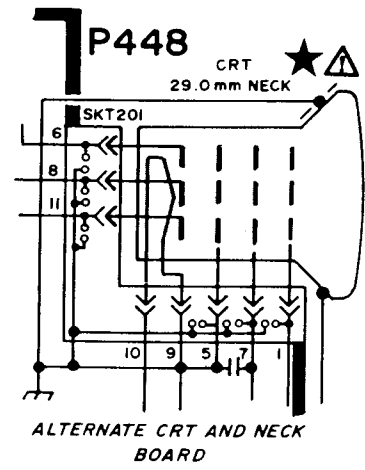
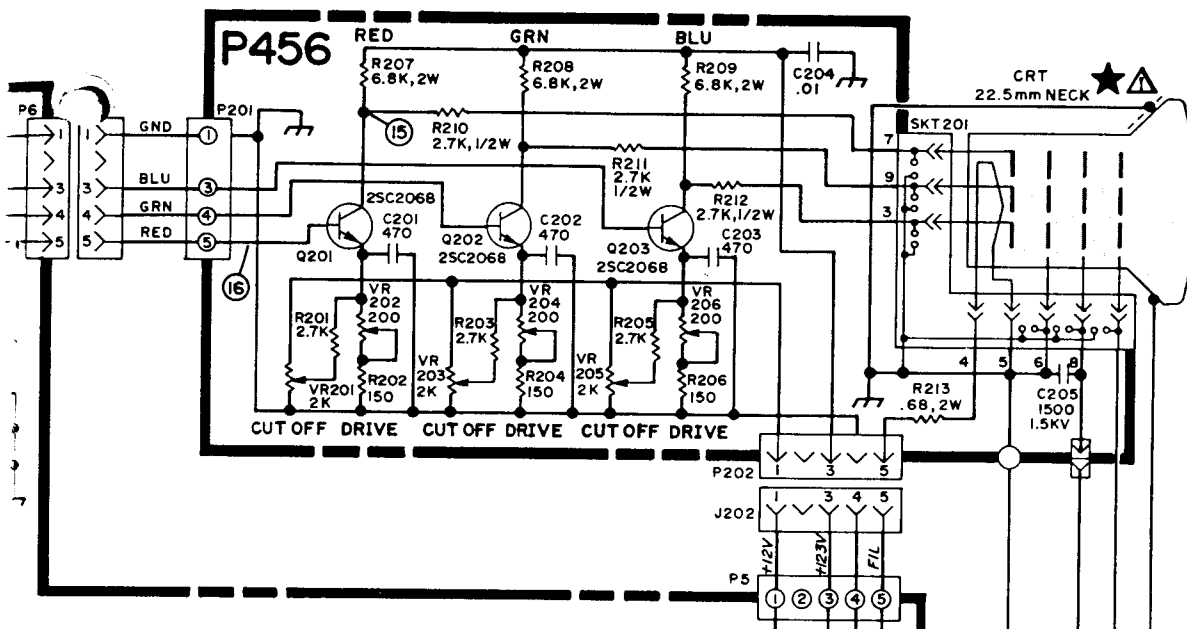


K7000 COLOR MONITOR SCHEMATIC DIAGRAM



*R302 IS PRESENT ONLY ON 19K7600 AND 19K7900 SERIES MONITORS.





- NOTES
1. ALL RESISTORS ARE IN OHMS, 1/4W, 5% UNLESS OTHERWISE INDICATED.
 2. CAPACITANCE VALUES LESS THAN 1 ARE IN MICROFARADS. ABOVE 1 IN PICO FARADS UNLESS OTHERWISE INDICATED.
 3. CIRCLED NUMBERS INDICATE LOCATIONS OF CERTAIN WAVEFORM READINGS.

⚠ CAUTION SAFETY CRITICAL COMPONENT.
 ★ X-RAY RADIATION RELATED COMPONENT.
 REPLACE ONLY WITH SAME TYPE PARTS AS SHOWN IN PARTS LIST.

**9K7700 SERIES
 13K7800 SERIES
 19K7600 SERIES
 19K7900 SERIES**

NOTE:
 REFER TO OTHER SCHEMATIC DIAGRAMS FOR CERTAIN UNIQUE MODELS.