

ISSUE	APP'D BY	REVISIONS
DRG.	TTN 4-2-98	RELEASED PER ECN D80036. TWL 04/98
A	A.P.S. 5/98	PER ECN D80067 m.s. 5/11/98 TWL 5/98
B	DA 11/98	PER ECN D80182 TWL 11/98

D PART: 100X0406-001

CAUTION SAFETY CRITICAL COMPONENT.
X-RAY RADIATION RELATED COMPONENT.
REPLACE ONLY WITH SAME TYPE PARTS AS SHOWN IN PARTS LIST.

NOTES:
 1. ALL RESISTORS ARE IN OHMS, 1/4W, 5% UNLESS OTHERWISE INDICATED.
 2. CAPACITANCE VALUES LESS THAN 1 ARE IN MICROFARADS, ABOVE 1 IN PICOFARADS UNLESS OTHERWISE INDICATED.

CONTROLLED DOCUMENT

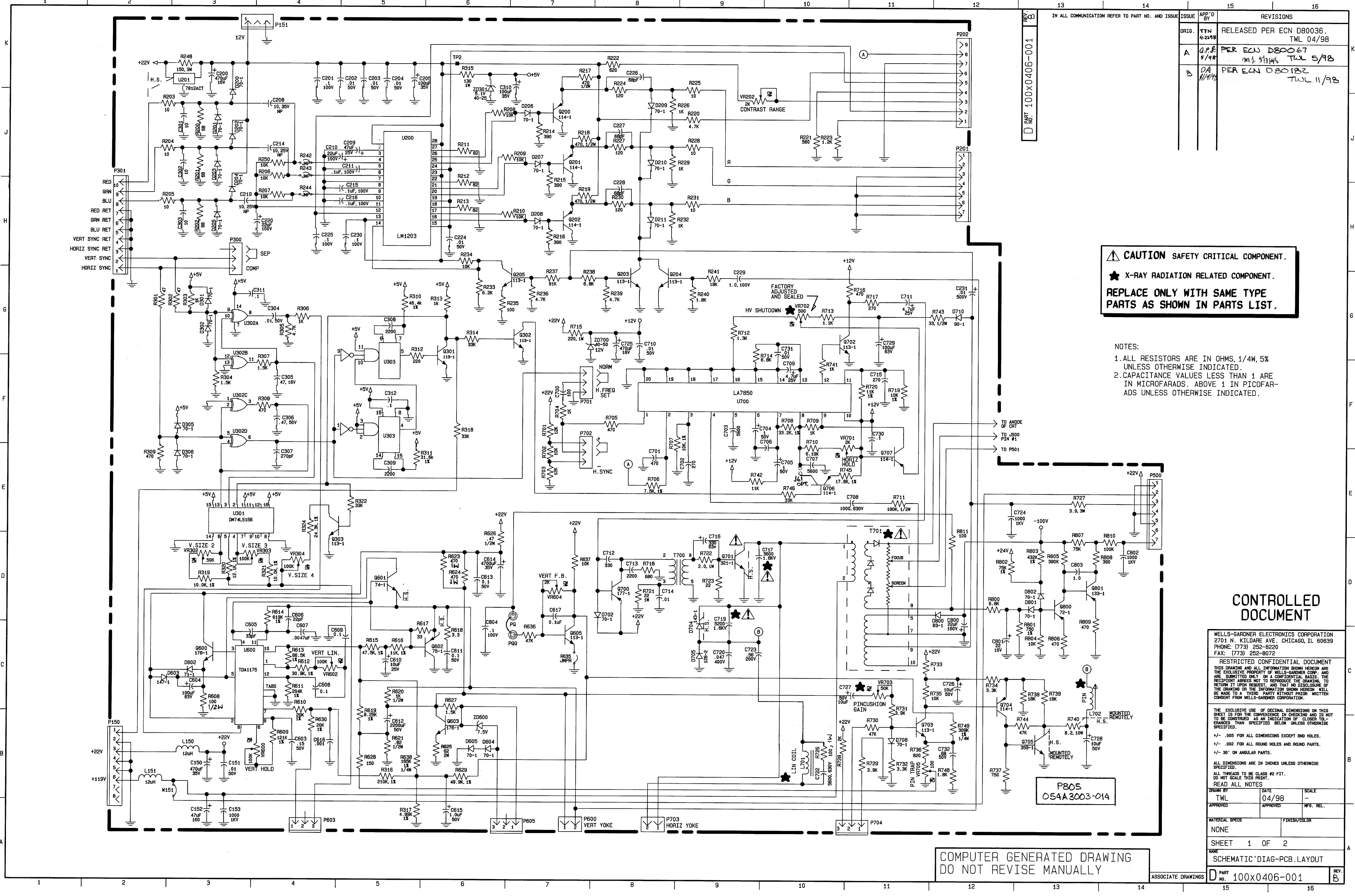
WELLS-GARDNER ELECTRONICS CORPORATION
 2701 N. KILDARE AVE., CHICAGO, IL 60639
 PHONE: (773) 252-8220
 FAX: (773) 252-8072

RESTRICTED CONFIDENTIAL DOCUMENT
 THIS DRAWING AND ALL INFORMATION SHOWN HEREON ARE THE EXCLUSIVE PROPERTY OF WELLS-GARDNER CORP. AND ARE SUBMITTED ONLY ON A CONFIDENTIAL BASIS. THE RECIPIENT AGREES NOT TO REPRODUCE THE DRAWING, TO RETURN IT UPON REQUEST, AND THAT NO DISCLOSURE OF THE DRAWING OR THE INFORMATION SHOWN HEREON WILL BE MADE TO A THIRD PARTY WITHOUT PRIOR WRITTEN CONSENT FROM WELLS-GARDNER CORPORATION.

THE EXCLUSIVE USE OF DECIMAL DIMENSIONS ON THIS SHEET IS FOR THE CONVENIENCE IN CHECKING AND IS NOT TO BE CONSTRUED AS AN INDICATION OF CLOSER TOLERANCES THAN SPECIFIED BELOW UNLESS OTHERWISE SPECIFIED.
 +/- .005 FOR ALL DIMENSIONS EXCEPT RND HOLES.
 +/- .002 FOR ALL ROUND HOLES AND ROUND PARTS.
 +/- .30° ON ANGULAR PARTS.
 ALL DIMENSIONS ARE IN INCHES UNLESS OTHERWISE SPECIFIED.
 ALL THREADS TO BE CLASS #2 FTT.
 DO NOT SCALE THIS PRINT.
 READ ALL NOTES

DRAWN BY	DATE	SCALE
TWL	04/98	-
APPROVED		NFS: REL.
MATERIAL SPECS	FINISH/COLOR	
NONE		
SHEET	1 OF 2	
NAME	SCHEMATIC DIAG-PCB LAYOUT	
ASSOCIATE DRAWINGS	D PART	REV. B
	no.	100X0406-001

COMPUTER GENERATED DRAWING
 DO NOT REVISE MANUALLY

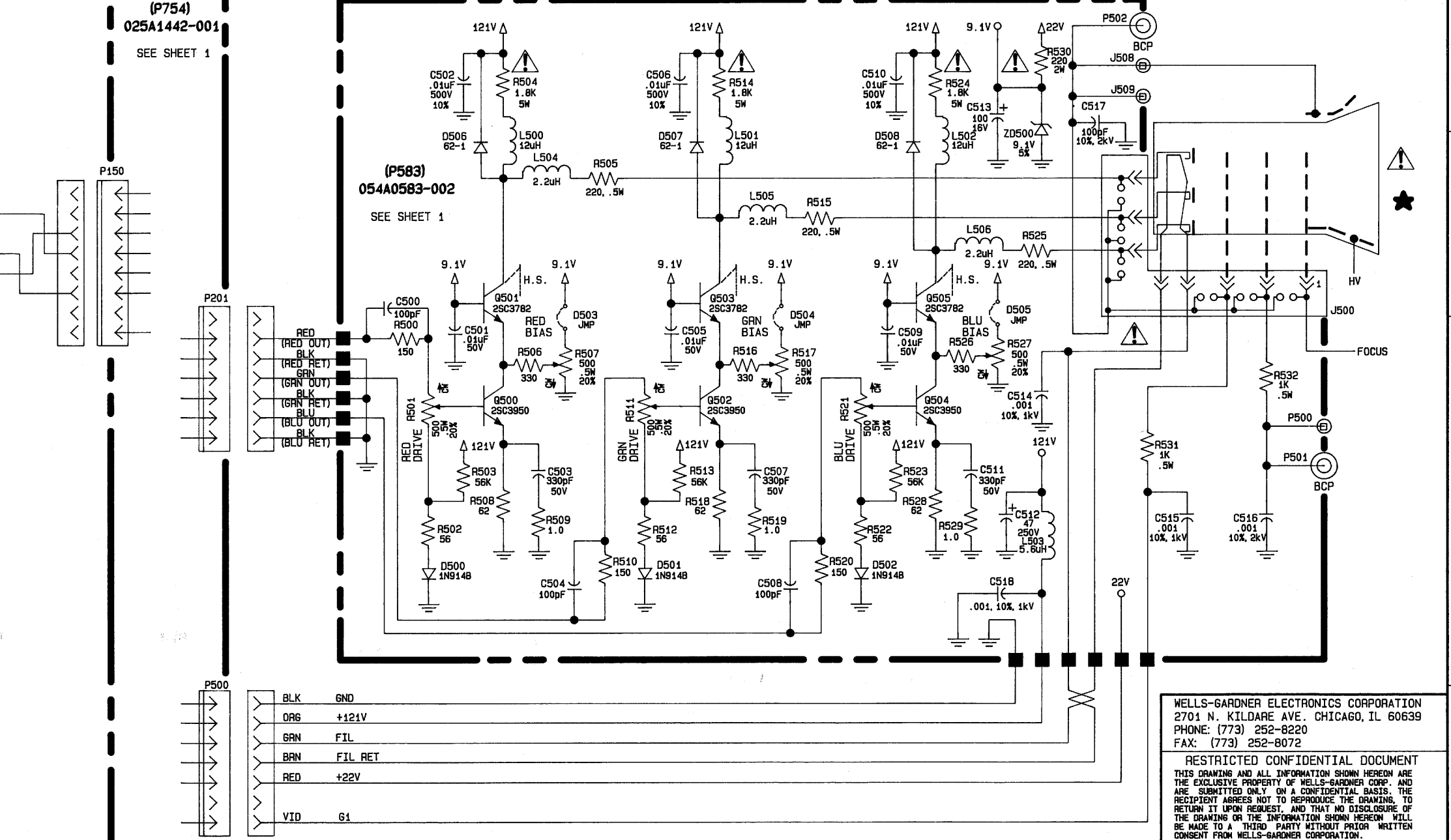
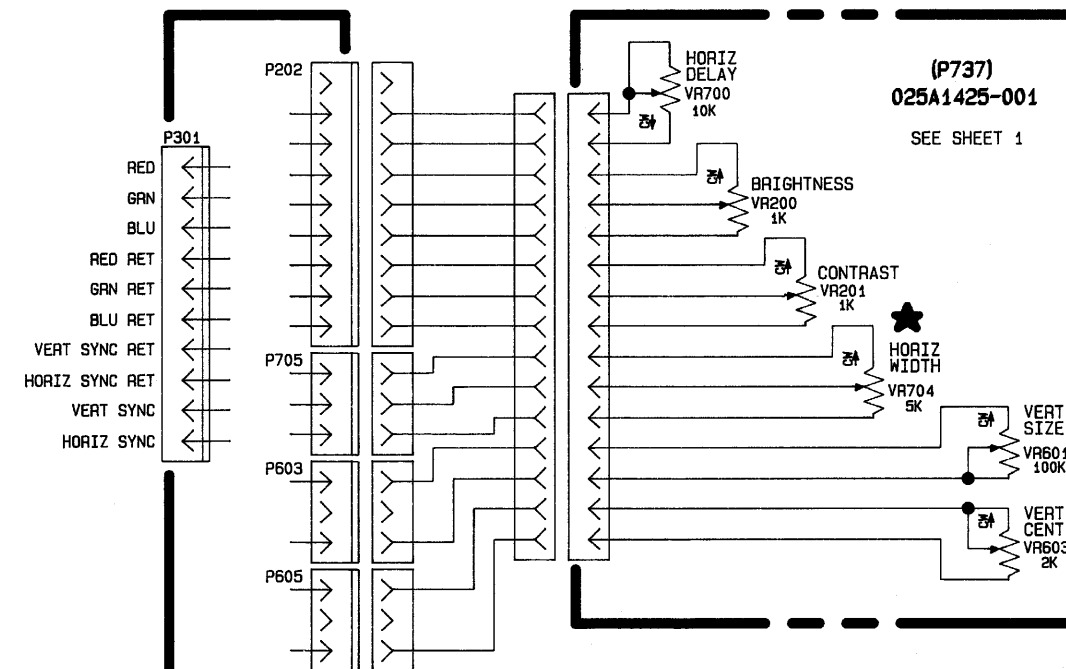
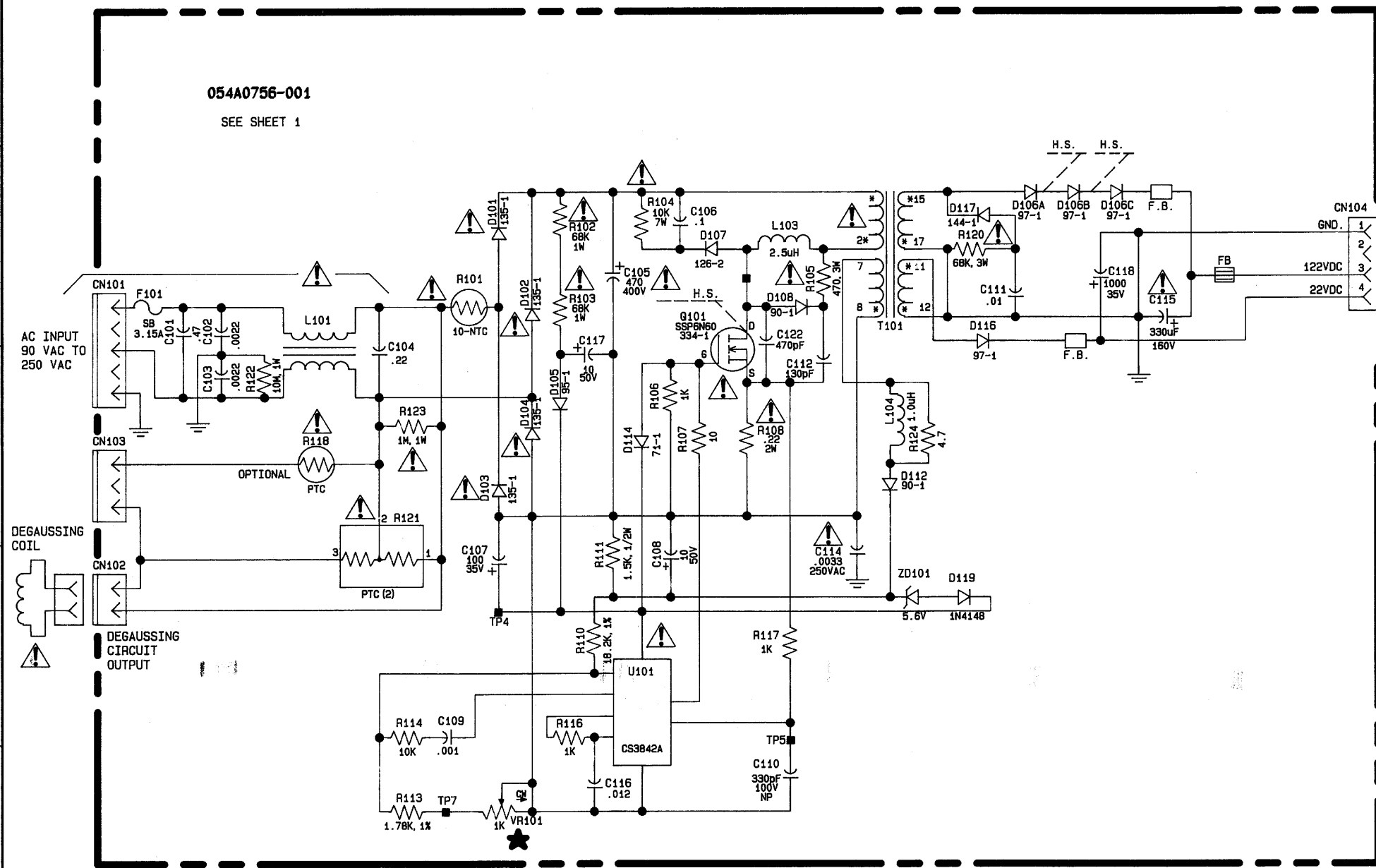


P805
 054A 3003-014

CAUTION SAFETY CRITICAL COMPONENT.
X-RAY RADIATION RELATED COMPONENT.
REPLACE ONLY WITH SAME TYPE PARTS AS SHOWN IN PARTS LIST.

NOTES:

1. ALL RESISTORS ARE IN OHMS, 1/4W, 5% UNLESS OTHERWISE INDICATED.
2. CAPACITANCE VALUES LESS THAN 1 ARE IN MICROFARADS. ABOVE 1 IN PICOFARADS UNLESS OTHERWISE INDICATED.



REV. 0
PART NO. 100X0406-001

ISSUE	APP'D BY	REVISIONS
0R16.		RELEASED PER ECN D80036. TWL 04/98
A	Q.P.F. 5/2/98	PER ECN D80067 TWL 5/98
B	PA 11/9/98	PER ECN D80182 TWL 11/98

CONTROLLED DOCUMENT

COMPUTER GENERATED DRAWING
DO NOT REVISE MANUALLY

WELLS-GARDNER ELECTRONICS CORPORATION
2701 N. KILDARE AVE. CHICAGO, IL 60639
PHONE: (773) 252-8220
FAX: (773) 252-8072

RESTRICTED CONFIDENTIAL DOCUMENT
THIS DRAWING AND ALL INFORMATION SHOWN HEREON ARE THE EXCLUSIVE PROPERTY OF WELLS-GARDNER CORP. AND ARE SUBMITTED ONLY ON A CONFIDENTIAL BASIS. THE RECIPIENT AGREES NOT TO REPRODUCE THE DRAWING, TO RETURN IT UPON REQUEST, AND THAT NO DISCLOSURE OF THE DRAWING OR THE INFORMATION SHOWN HEREON WILL BE MADE TO A THIRD PARTY WITHOUT PRIOR WRITTEN CONSENT FROM WELLS-GARDNER CORPORATION.

THE EXCLUSIVE USE OF DECIMAL DIMENSIONS ON THIS SHEET IS FOR THE CONVENIENCE IN CHECKING AND IS NOT TO BE CONSTRUED AS AN INDICATION OF CLOSER TOLERANCES THAN SPECIFIED BELOW UNLESS OTHERWISE SPECIFIED.

+/- .005 FOR ALL DIMENSIONS EXCEPT RND HOLES.
+/- .002 FOR ALL ROUND HOLES AND ROUND PARTS.
+/- .30° ON ANGULAR PARTS.

ALL DIMENSIONS ARE IN INCHES UNLESS OTHERWISE SPECIFIED.
ALL THREADS TO BE CLASS #2 FIT.
DO NOT SCALE THIS PRINT.
READ ALL NOTES

DRAWN BY	DATE	SCALE
TWL	04/98	-
APPROVED		MFG. REL.
MATERIAL SPECS	FINISH/COLOR	
NONE		
SHEET 2 OF 2		
NAME SCHEMATIC'DIAG'U3000-27"		
ASSOCIATE DRAWINGS	PART NO.	REV.
	100X0406-001	0