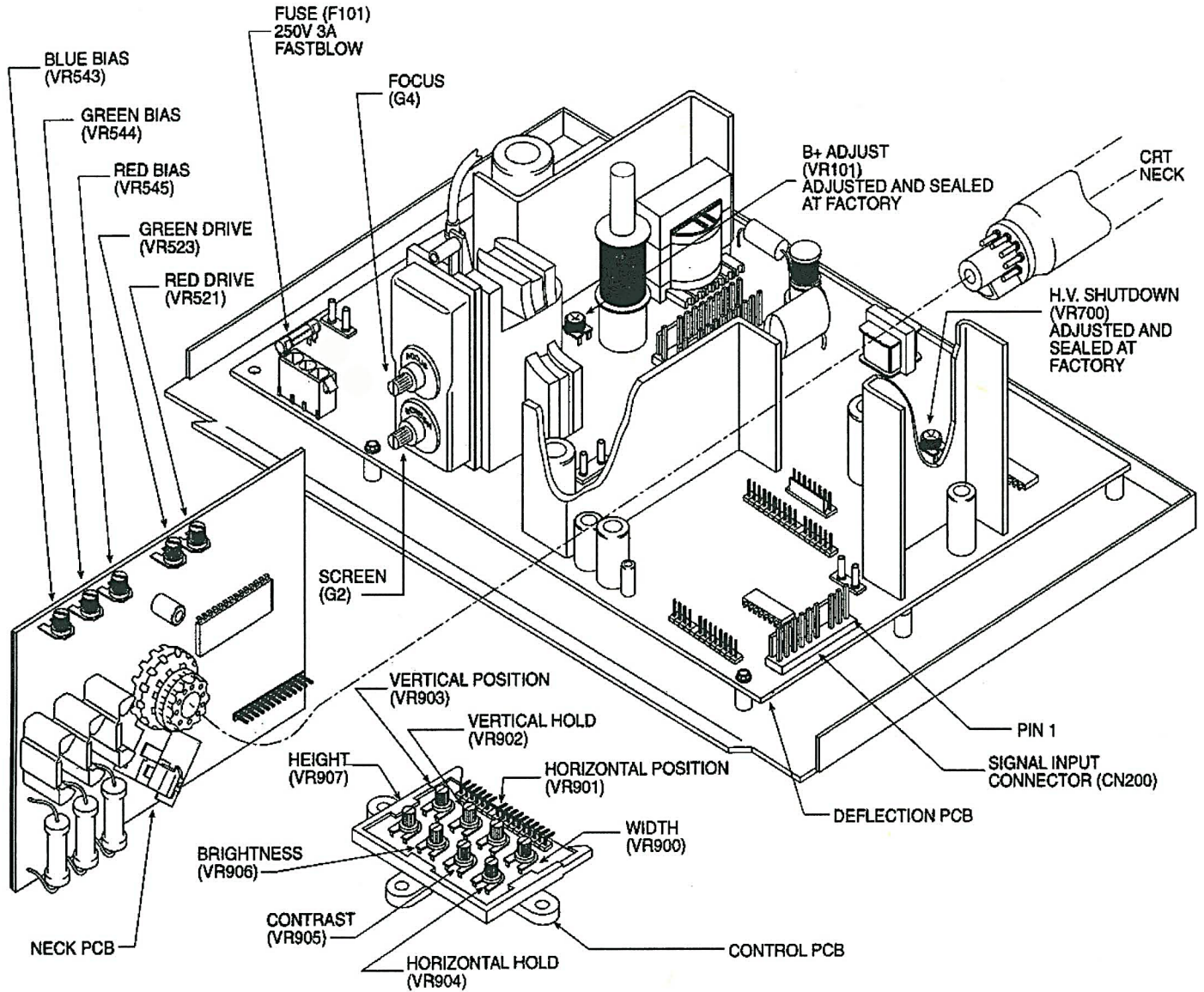




**WELLS-GARDNER**  
ELECTRONICS CORPORATION

M O D E L  
U 5 0 0 0 - 25"

### Board Layout w/Connections and Controls

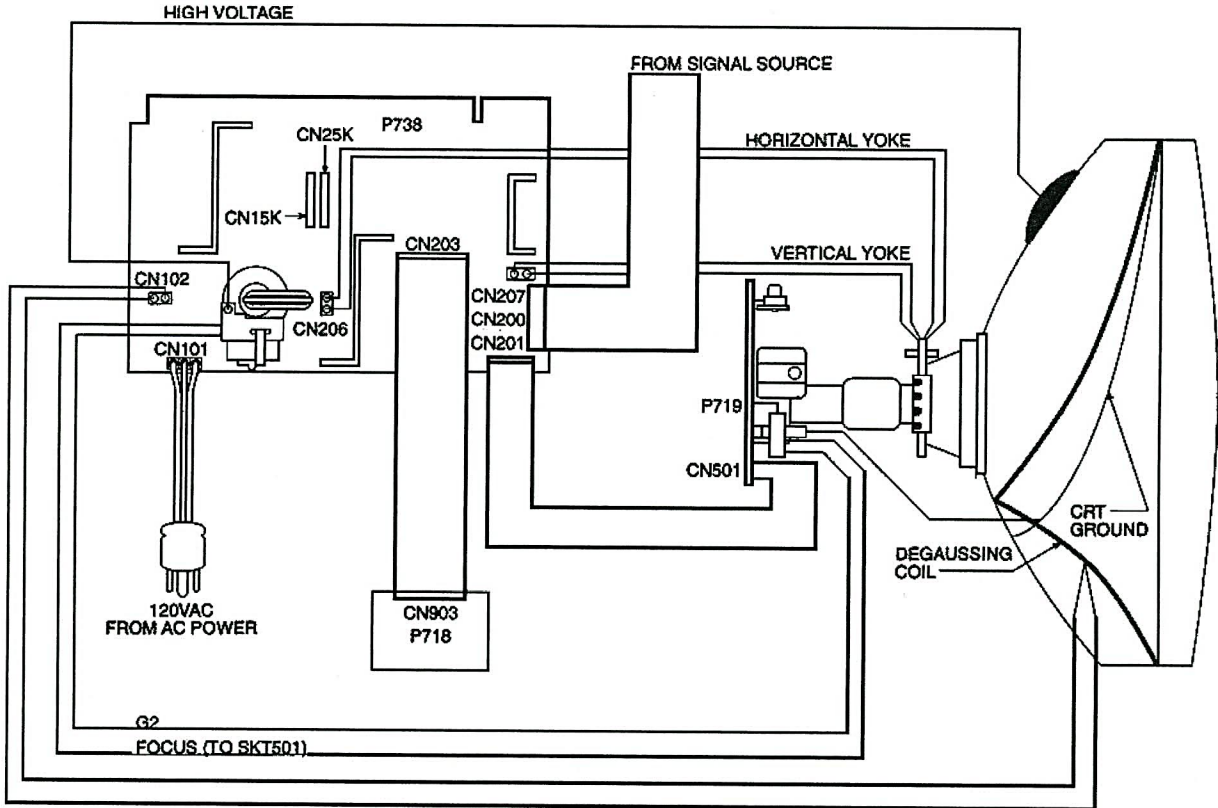




**WELLS-GARDNER**  
ELECTRONICS CORPORATION

M O D E L  
U 5 0 0 0 - 25"

DIMENSIONS SHOWN ARE FOR REFERENCE ONLY. FOR SPECIFICS CONTACT W.G.E.C. ENGINEERING.  
2701 North Kildare Avenue Chicago, Illinois 60639 Phone (773) 252-8220 Fax (773) 252-8072



**AC INPUT CONNECTOR: CN101**

AMP 350760-4  
Mating AMP type 1-480700-0

Pin	Description
1	AC hot
2	Earth ground
3	AC neutral

**INPUT SIGNAL CONNECTOR: CN200**

AMP 1-640445-1  
Mating AMP type 1-640428-1

Pin	Description
1	Red
2	Green
3	Blue
4	Gnd
5	Vertical
6	Horizontal
7	
8	Gnd
9	Vertical
10	Horizontal

**MODE SELECTION CONNECTORS**

CN15K 15kHz Operation  
CN25K 25kHz Operation